

the ever-customizable

Versailles

Specification & Pricing Guide

version 1.08

1/1/2017



Table of Contents

Ordering Information

| | |
|-------------------------------------|---|
| Ordering Information Checklist..... | 4 |
|-------------------------------------|---|

Specifications Guide

| | |
|--------------------------------|----|
| Table Top Specifications..... | 6 |
| Table Size Specifications..... | 7 |
| Leg Shape Specifications..... | 7 |
| Divider Specifications..... | 9 |
| Electrical / Power..... | 10 |
| LIAT Shipping Zones..... | 12 |
| Shipping Pricing Guide..... | 12 |
| Pricing Guide Tutorial..... | 14 |

Study Tables

| | |
|---------------------------------|----|
| Leg Base Pricing Guide..... | 19 |
| Leg Base Popular Items..... | 20 |
| Leg Base Popular Items..... | 21 |
| Frame Base Build Guide..... | 22 |
| Frame Base Pricing Guide..... | 23 |
| Frame Base Popular Items..... | 24 |
| Frame Base Popular Items..... | 25 |

Computer Tables

| | |
|----------------------------------|----|
| Single Face Build Guide..... | 28 |
| Single Face Pricing Guide..... | 29 |
| Single Face Popular Items..... | 30 |
| Single Face Popular Items..... | 31 |
| Double Face Build Guide..... | 32 |
| Double Face Pricing Guide..... | 33 |
| Double Face Popular Items..... | 34 |
| Double Face Popular Items..... | 35 |

Desking

| | |
|---|----|
| Terminology and Tips..... | 38 |
| Terminology and Tips..... | 39 |
| Single Face/Straight Build Guide..... | 40 |
| Single Face/Straight Pricing Guide..... | 41 |
| Single Face/Straight Popular Items..... | 42 |

| | |
|--|----|
| Single Face/Straight Popular Items | 43 |
| Single Face/Wave Build Guide | 44 |
| Single Face/Wave Pricing Guide | 45 |
| Single Face/Wave Popular Items | 46 |
| Single Face/Wave Popular Items | 47 |
| Double Face/Straight Build Guide | 48 |
| Double Face/Straight Pricing Guide | 49 |
| Double Face/Straight Popular Items..... | 50 |
| Double Face/Straight Popular Items..... | 51 |
| Double Face/Wave Build Guide..... | 52 |
| Double Face/Wave Pricing Guide..... | 53 |
| Double Face/Wave Popular Items | 54 |
| Double Face/Wave Popular Items | 55 |
| Pod Build Guide..... | 56 |
| Pod Pricing Guide..... | 57 |
| Pod Popular Items | 58 |
| Share Build Guide | 60 |
| Share Pricing Guide | 61 |
| Share Popular Items..... | 62 |
| Share Popular Items..... | 63 |
| Popular Combinations | 64 |

Accessories

| | |
|----------------------------------|----|
| Built-In Power & Data | 72 |
| Add-On Power & Data | 74 |
| Add-On Wire Management..... | 78 |
| Monitor Arms & CPU Holders | 79 |

Terms and Conditions

| | |
|---------------------------------------|----|
| Versailles Terms and Conditions | 80 |
| GSA Terms and Conditions | 82 |

Ordering Information

Ordering Information Checklist

Use this checklist to be sure you have all of the necessary information to order your Versailles unit.

Catalog Number

Use our build guides to create your Versailles catalog number.

Wood Species

Oak
Maple

Wood Finish

Maple

Amber Cherry | ACM
Amber Maple | AMM
Carmel Maple | CMM
Dark Mahogany | DMM
Light Cherry | LCM
Medium Cherry | MCM
Medium Mahogany | MMM
Medium Walnut | MWM
Natural Maple | NMM
Montana Walnut | OWM
Versailles Anigre | VAM

Oak

Dark Mahogany | DMO
Golden Oak | GOO
Light Cherry | LCO
Medium Oak | MOO
Medium Cherry | MCO
Medium Walnut | MWO
Medium Mahogany | MMO
Natural Oak | NOO

Color Stain

Blue
Green
Orange
Red
Yellow

PVC Edge Band

Amber Cherry | AC-PVC
Natural Teak | NT-PVC
Huntington Maple | HM-PVC
Kensington Maple | KM-PVC
Montana Walnut | MW-PVC
Versailles Anigre | VA-PVC

Cafelle | CA-PVC
Nepal Teak | NP-PVC
Windsor Mahogany | WM-PVC
Hampton Walnut | HW-PVC
Natural Oak | NO-PVC

Black | BK-PVC
Fashion Grey | FG-PVC
Frosty White | FW-PVC
North Sea | NS-PVC
Slate Grey | SG-PVC

Laminate Selection

Standard Wilsonart, Formica, Nevamar or Pionite. Please specify manufacturer, color, and model number.

Metal

Powder Coated Steel

Steel Gray Black
Textured Black Silver
White

□ MDF Powder Coat

Standard Colors

| | |
|---------------|----------|
| Cajun Red | Mandarin |
| Electric Lime | Raisin |
| Extra White | Refuge |
| Griffin | Web Gray |

Color match powder coating is available, send us a physical sample as well as the six digit color code. \$750 list color matching fee.

□ Knife Edge Detail Options



□ Accessories

① LIAT Finish Match Suggestions

| LIAT Wood Finish | Laminate | PVC Edge |
|----------------------------------|--|----------------------------|
| Amber Cherry on Maple ACM | Wilsonart Amber Cherry 7919K-60 | Amber Cherry AC-PVC |
| Amber Maple on Maple AMM | Formica Natural Teak 8849-58 | Natural Teak NT-PVC |
| Carmel Maple on Maple CMM | — | — |
| Dark Mahogany on Maple DMM | — | — |
| Light Cherry on Maple LCM | Wilsonart Huntington Maple 7929-60 | Huntington Maple HM-PVC |
| Medium Cherry on Maple MCM | — | — |
| Medium Mahogany on Maple MMM | — | — |
| Medium Walnut on Maple MWM | — | — |
| Natural Maple on Maple NMM | Wilsonart Kensington Maple 10776-60 | Kensington Maple KM-PVC |
| Montana Walnut on Maple OWM | Wilsonart Montana Walnut 7110K-60 | Montana Walnut MW-PVC |
| Versailles Anigre on Maple VAM | Wilsonart Versailles Anigre 7923K-60** | Versailles Anigre VA-PVC |
| Dark Mahogany on Oak DMO | Wilsonart Cafelle 7933K-60** | Cafelle CA-PVC |
| Golden Oak on Oak GOO | Wilsonart Nepal Teak 7209K-60 | Nepal Teak NP-PVC |
| Light Cherry on Oak LCO | — | — |
| Medium Oak on Oak MOO | — | — |
| Medium Cherry on Oak MCO | Wilsonart Windsor Mahogany 7039K-60 | Windsor Mahogany WM-PVC |
| Medium Walnut on Oak MWO | Wilsonart Hampton Walnut 7959K-38** | Hampton Walnut HW-PVC |
| Medium Mahogany on Oak MMO | Pionite Jewel Mahogany WY351-N | — |
| Natural Oak on Oak NOO | Formica Natural Oak 346 | Natural Oak NO-PVC |
| — | Wilsonart Black 1595-60 | Black BK-PVC |
| — | Wilsonart Fashion Grey D381-60 | Fashion Grey FG-PVC |
| — | Wilsonart Frosty White 1573-60 | Frosty White FW-PVC |
| — | Wilsonart North Sea D90-60 | North Sea NS-PVC |
| — | Wilsonart Slate Grey D91-60 | Slate Grey SG-PVC |

(—) a suggested match is not available.

**indicates premium pricing, please contact project management for more information.

Specifications Guide

Table Top Specifications

Top with Wood Knife Edge

Add “-WK” to the model number for this option

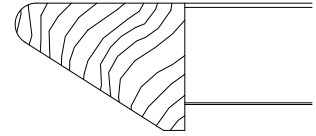
Tops - 1-1/8” thick, particle board core

Laminate - .050” thick with backing sheet

Veneer or Marmoleum are available as upgrades

Edges - Banded with 2” W x 1-1/2” T dropped knife or reverse knife

When the wood knife edge is selected, the overall island top size will be +2” in width and +2” in length of the selected nominal size.



Top with Wood “A” Edge

Add “-WA” to the model number for this option

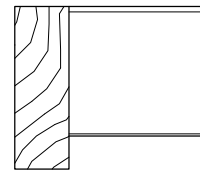
Tops - 1-1/8” thick, particle board core

Laminate - .50” thick with phenolic backing sheet

Veneer or Marmoleum are available as upgrades

Edges - Banded with 1/2” W x 1-1/2” T dropped edge

When the wood “A” edge is selected, the overall island top size will be -1” in width and -1” in length of the selected nominal size



Top with PVC Edge

Add “-MM” to the model number for this option

Tops - 1-1/8” thick, particle board core

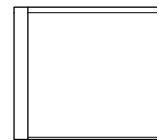
Laminate - .050” thick with phenolic backing sheet

Veneer or Marmoleum are available as upgrades

Edges - banded with a 3mm PVC edge band.

All amoeba shapes come standard with the PVC edge band

When the PVC edge is selected, the overall island top size will be -1-3/4” in width and -1-3/4” in length of the selected nominal size



Powder Coat MDF Top

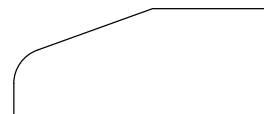
Add “-PC” to the model number for this option

Tops - 1” thick, specially formulated medium-density fiberboard (MDF) core

The tops shall receive a highly durable electrostatic powder coat paint finish.

The tops shall receive our user friendly ergonomic shape

When the powder coat top is selected, the overall island top size is true to the nominal size.



See length changes for desking below

| Edge | Island | Starter/End | Adder |
|------|-----------|-------------|-------|
| WA | - 1 ” | - 3-1/2 ” | - 6 ” |
| WK | + 2 ” | - 2 ” | - 6 ” |
| MM | - 1-3/4 ” | - 3-7/8 ” | - 6 ” |
| PC | + 0 ” | - 3 ” | - 6 ” |

Table Size Specifications

Overall Table Sizes

Selected sizes are nominal and actual dimensions vary depending on the selected edge detail and unit type. All tables are based on the frames being the nominal size **-6" on center + the overhang of the top and edge detail when applicable.**

See the *Table Top Specifications* for the effected sizes.

Nominal Table Height

Height - 29".

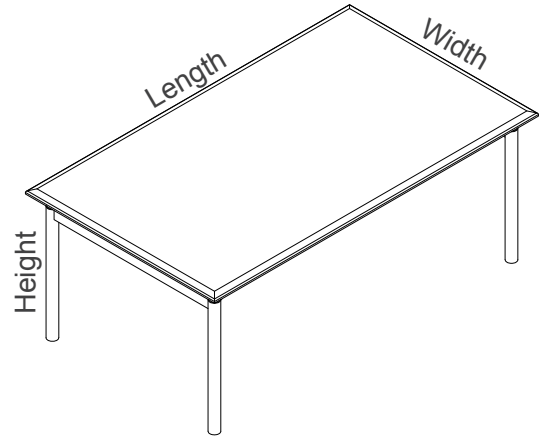
Additional heights of 25", 27", and 39" are available upon request.

Nominal Table Width

See specific sections for available table widths.

Nominal Table Length

See specific sections for available table lengths.

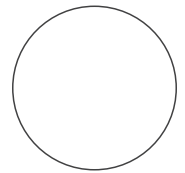


Leg Shape Specifications

Round Legs

The round leg shape shall be a **2" diameter 16 gauge** tubular steel with a **1" diameter x 2" high** steel pintel welded to a **4" x 4"** metal plate and powder coated. The plate shall attach to the underside of the table top with **5/16" x 1"** bolts engaging threaded inserts.

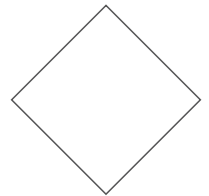
Add **"-R"** to the model number for this option.



Diamond Legs

The diamond leg shape shall be a **1-1/2" square 16 gauge** tubular steel with a **3/4" square x 2" high** steel pintel welded to a **4" x 4"** metal plate and powder coated. The plate shall attach to the underside of the table top with **5/16" x 1"** bolts engaging threaded inserts.

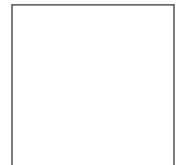
Add **"-D"** to the model number for this option.



Square Legs

The square leg shape shall be a **2" square 16 gauge** tubular steel with a **1" square x 2" high** steel pintel welded to a **4" x 4"** metal plate and powder coated. The plate shall attach to the underside of the table top with **5/16" x 1"** bolts engaging threaded inserts.

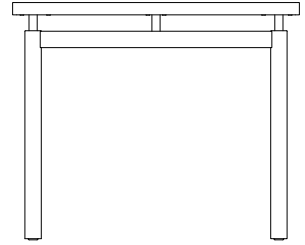
Add **"-S"** to the model number for this option.



Open Frame Base

The welded metal frame bases shall be constructed of a **1" x 2" 16 gauge** tubular steel cross bar welded to **two standard shaped 16 gauge** tubular steel legs with **2" high** pintels. The metal cross stretcher(s) running length wise shall be constructed of 1" x 2" rectangular 16 gauge tubular steel and shall have at least two "T" shaped support brackets welded on the top for additional table support. Any table 42" wide or more shall have two cross stretchers. The... ..cross stretcher(s) shall be bolted to the metal end frame for added stability. The legs attach to the table top by using #12 x 1" PPH screws with star washers.

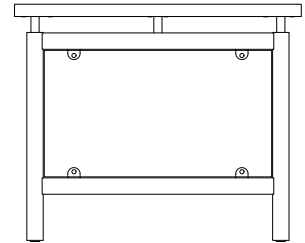
Add "**O**" to the model number for this option.



Acrylic Panel Frame Base

The welded metal frame bases shall be constructed of an upper and lower 1" x 2" 16 gauge tubular steel cross bar welded to two standard shaped 16 gauge tubular steel legs with 2" high steel pintels. There shall be two tabs welded to each upper and lower cross bar. A 1/4" thick frosted acrylic panel shall be captured between the legs and cross bars by inserting decorative threaded ball and cap rods through the tabs and panel. The metal cross stretcher(s) running length wise shall be constructed of 1" x 2" rectangular 16 gauge tubular steel and shall have at least two "T" shaped support brackets welded on the top for additional table support. Any table 42" wide or more shall have two cross stretchers. The cross stretcher(s) shall be bolted to the metal end frames for added stability. The legs attach to the table top by using #12 x 1" PPH screws with star washers.

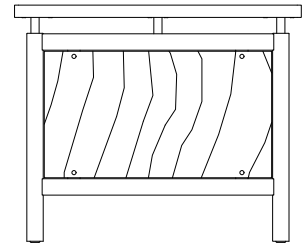
Add "**A**" to the model number for this option.



Wood Panel Frame Base

The welded metal frame bases shall be constructed of an upper and lower 1" x 2" 16 gauge tubular steel cross bar welded to two standard shaped 16 gauge tubular steel legs with 2" high steel pintels. There shall be two tabs welded to each upper and lower cross bar. A 1/4" thick wood panel constructed of particleboard core with grade "A" veneer faces shall be captured between the legs and cross bars by inserting decorative threaded ball and cap rods through the tabs and panel. The metal cross stretcher(s) running length wise shall be constructed of 1" x 2" rectangular 16 gauge tubular steel and shall have at least two "T" shaped support brackets welded on the top for additional table support. Any table 42" wide or more shall have two cross stretchers. The cross stretcher(s) shall be bolted to the metal end frames for added stability. The legs attach to the table top by using #12 x 1" PPH screws with star washers.

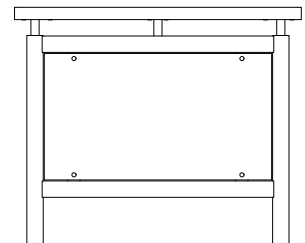
Add "**-W**" to the model number for this option.



Powder Coat Panel Frame Base

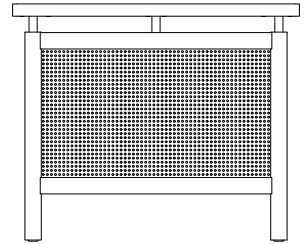
The welded metal frame bases shall be constructed of an upper and lower 1" x 2" 16 gauge tubular steel cross bar welded to two standard shaped 16 gauge tubular steel legs with 2" high steel pintels. There shall be two tabs welded to each upper and lower cross bar. A 1/4" thick powder coated panel constructed from a specially formulated MDF core shall be captured between the legs and cross bars by inserting decorative threaded ball and cap rods through the tabs and panel. The metal cross stretcher(s) running length wise shall be constructed of 1" x 2" rectangular 16 gauge tubular steel and shall have at least two "T" shaped support brackets welded on the top for additional table support. Any table 42" wide or more shall have two cross stretchers. The cross stretcher(s) shall be bolted to the metal end frames for added stability. The legs attach to the table top by using #12 x 1" PPH screws with star washers.

Add "**C**" to the model number for this option.



Perforated Metal Frame Base

The welded metal frame bases shall be constructed of an upper and lower 1" x 2" 16 gauge tubular steel cross bar welded to two standard shaped 16 gauge tubular steel legs with 2" high steel pintels. There shall be two tabs welded to each upper and lower cross bar. A perforated metal panel shall be welded between the legs and cross bars. The metal cross stretcher(s) running length wise shall be constructed of 1" x 2" rectangular 16 gauge tubular steel and shall have at least two "T" shaped support brackets welded on the top for additional table support. Any table 42" wide or more shall have two cross stretchers. The cross stretcher(s) shall be bolted to the metal end frames for added stability. The legs attach to the table top by using #12 x 1" PP



Add "P" to the model number for this option.

Glides

Each leg shall be fitted with one 1-1/4" diameter rubber cushioned adjustable leveling glide with a 15/16" stem.

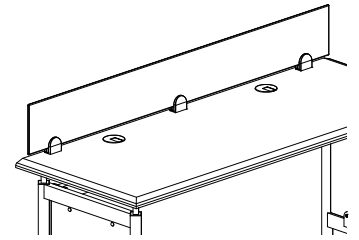
Divider Specifications

Acrylic Divider (Solid Tops)

The acrylic divider shall extend 8" above the work surface and be made of 1/4" thick frosted acrylic. The acrylic shall be frosted both sides and captured in steel glass clamps with rubber gaskets, which shall attach to the table tops by means of a #8 x 1" PFH wood screw.

The acrylic divider shall run along the back edge of single face units or lengthwise between users on double face units.

Add "-AR" to the model number for this option.

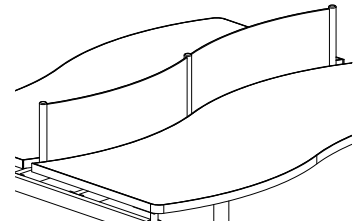


Acrylic Divider (Split Tops)

The acrylic divider shall extend 8" above the work surface. Straight units shall use 1/4" thick frosted acrylic. Double face wave units shall use 3/16" thick frosted acrylic. The acrylic shall be frosted both sides and captured between powder coated 1" diameter steel bars with a 1/4" thick x 3/8" deep route to hold the acrylic, and an F-shaped steel plated used to attach the post to the bottom of the work surface with #14 x 1" self-tapping screws.

The acrylic divider shall run lengthwise between the users.

Add "-AR" to the model number for this option.



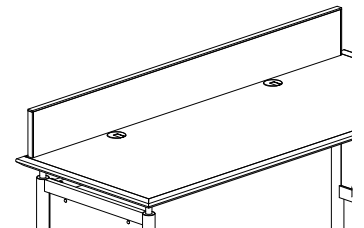
Wood Divider

The wood divider shall be constructed of a 1" thick particleboard core with grade "A" veneer faces and shall extend 8" above the work surface. The wood divider shall be attached by means of a 3/8" threaded rod passing through the top and being secured by a 3/8" nut.

The wood divider shall run along the back edge of single face units or lengthwise between users on double face units.

The wood divider is only available on solid top units

Add "-WR" to the model number for this option.



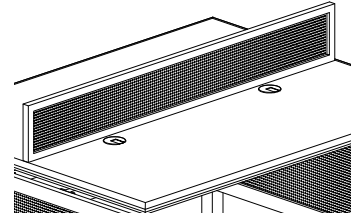
Perforated Metal Divider

The perforated metal divider shall extend 8" above the work surface. The perforated metal shall have a 1" square metal frame on all four sides that has been mitered at the corners and powder coated the same color as the frames. The frame shall attach to the table top by means of two bolts passing through the top and engaging threaded holes in the bottom of the divider.

The perforated metal divider shall run along the back edge of single face units or lengthwise between users on double face units.

The perforated metal divider is only available on solid top units.

Add **"-PM"** to the model number for this option.



Electrical / Power

Electrical / Power

All tables include an optional electrical/power cutout upgrade for use with a 4-window Axil Z power unit.

See the accessories for standard offerings, or contact project management to customize your desired configurations.

Wire Manager Leg (Round)

The optional wire leg for the round shaped leg comes with an egress hole near the top and bottom of the leg. Between the two egress holes is a flipper door held in place with spring loaded hinges allowing access to wire management without having to snake cords through the leg.

Add **"-WL(designated leg number)"** for this option

Wire Manager Leg (Square & Diamond)

The optional wire leg for the square and diamond shaped legs come with an egress hole near the top and bottom of the leg. Between the two egress holes is a removable 16 gauge powder coated steel door held in place by means of four 1/8" thick x 1/2" wide x 1-1/2" long neodymium magnets with a 6.56lb pull allowing access to wire management without having to snake cords through the leg.

Add **"-WL(designated leg number)"** for this option

J-Wire Manager

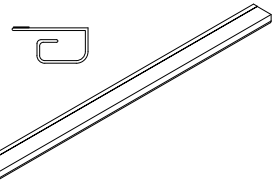
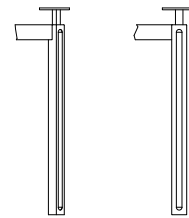
All desking and computer table products, as well as study tables with a power cutout upgrade are to come standard with one j-wire manager made of extruded plastic to hold wires.

The j-wire manager is shipped loose and comes with double sided tape to assist with placement in the field.

All j-wire managers must be installed with the included screws.

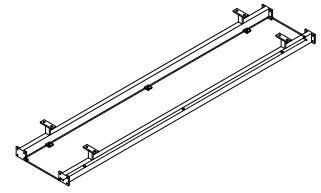
Wire Manager Tray

The optional wire manager tray is available only on the tables that have two cross stretchers. It shall be constructed of 1/4" thick black melamine and shall be captured



between the horizontal cross stretchers running the length of the table. Connecting tabs with threaded holes shall be recessed 1/4" from the bottom of the stretchers so that the tray lies flush with the bottom of the stretchers.

Add "**-WM**" to the model number for this option.

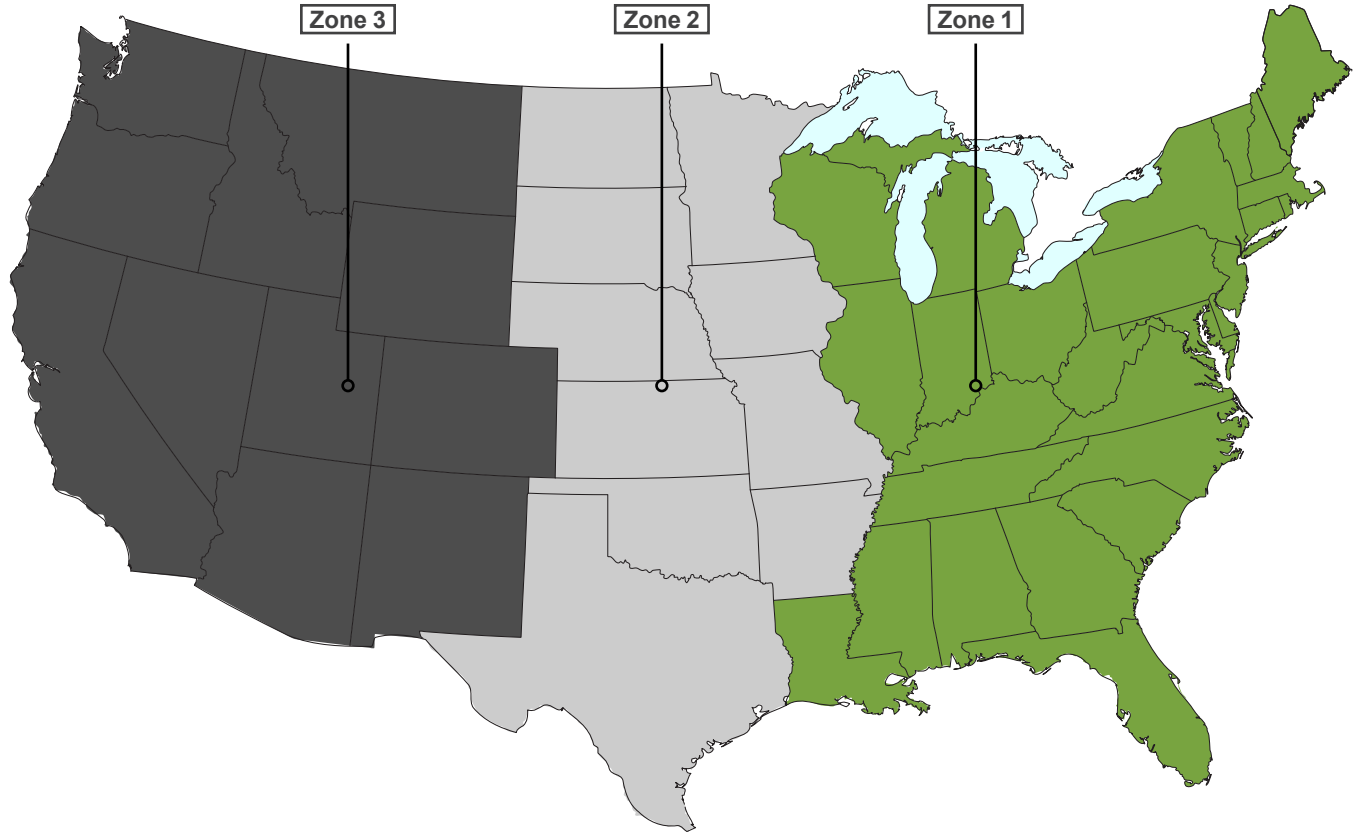


LIAT Shipping Zones

Shipping | Pricing Guide

Use the following guide to **determine the delivered pricing** for your LIAT furniture product by **selecting your zone** from the map and reviewing the price changes for each zone. To **determine your list price**, add your prices from your selected furniture and then **add the shipping cost based on your designated zone**.

USA



- Zone 1** No extra cost
- Zone 2** Add 4% to the list price
- Zone 3** Add 7% to the list price

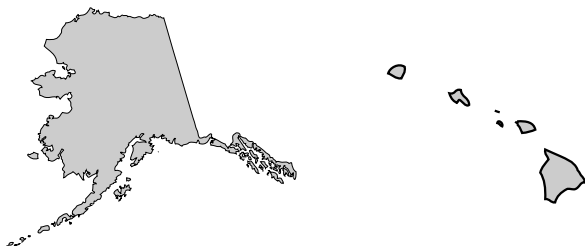
Zone 1 orders less than \$5,000 list will have a freight minimum fee of **\$375** list.

Zone 2 orders less than \$5,000 list will have a freight minimum fee of **\$375** list, plus **4%** of list

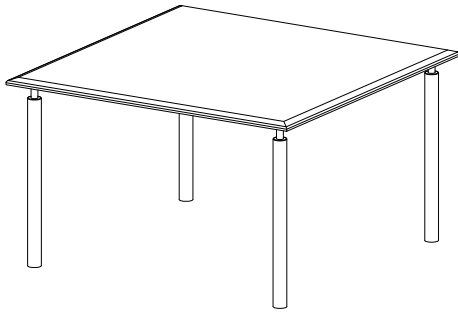
Zone 3 orders less than \$5,000 list will have a freight minimum fee of **\$375** list, plus **7%** of list

Hawaii, Alaska, and International

Note. This system does not apply to our international customers or those living in Alaska and Hawaii, **freight must be quoted separately for these orders**



Example 1 Below \$5,000 list



VS-ST-48S-29-RL-PC

List Price - \$1,573

Nominal Size - 48" Sq. x 29"H

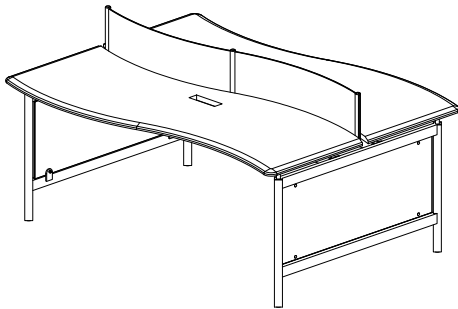
Actual Footprint - 48" Sq. x 29"H

Leg Shape - Square

Edge Detail - MDF powder coat

- **Zone 1** List Price: \$1,573 + \$375(Flat fee) = **\$1,948**
- **Zone 2** List Price: \$1,573 + \$375(Flat fee) + \$63(4% of list) = **\$2,011**
- **Zone 3** List Price: \$1,573 + \$375(Flat fee) + \$110(7% of list) = **\$2,058**

Example 2 Above \$5,000 list



VS-DK-4872XW-29-I-DA-PC-AR-AZ-WM

List Price - \$5,193

Nominal Size - 48"W x 72"L x 29"H

Actual Footprint - 56"W x 72"L x 29"H

Leg Shape - Diamond

Frame Style - Frosted acrylic panel

Edge Detail - MDF, powder coat

Unit Type - Island

Divider Style - Frosted acrylic

Wire Management - Tray

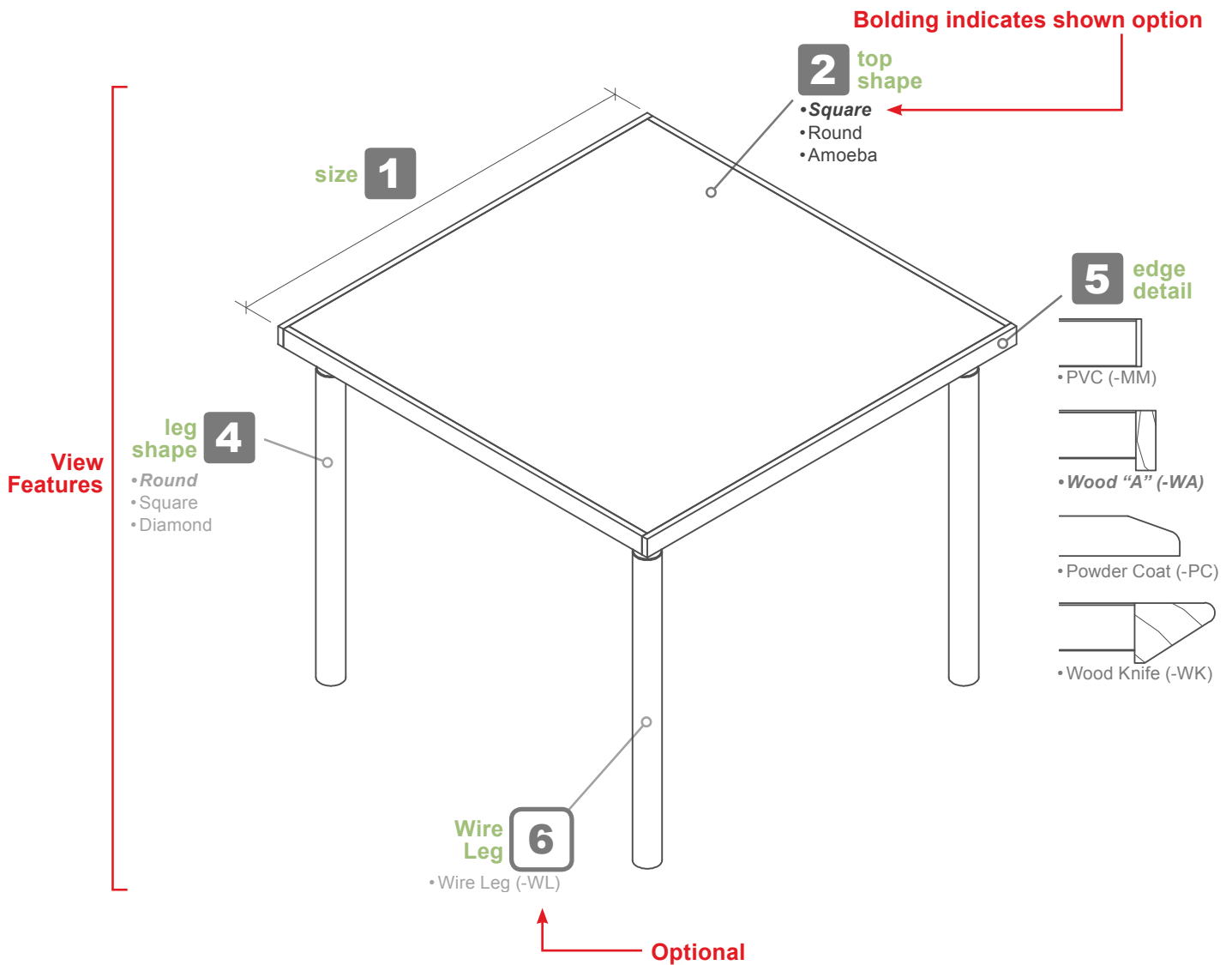
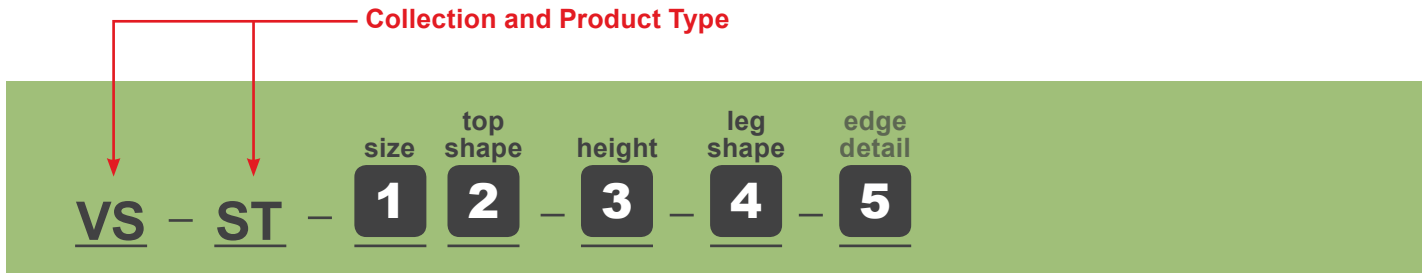
- **Zone 1** List Price: \$5,193 = **\$5,193**
- **Zone 2** List Price: \$5,193 + \$208(4% of list) = **\$5,401**
- **Zone 3** List Price: \$5,193 + \$364(7% of list) = **\$5,557**

*LIAT product is shipped knocked down (KD). Assembly in the field is required.

Pricing Guide Tutorial

How to use this pricing guide

These pages are a guide on how to build and customize your Versailles table using this specification and pricing guide.



Unit Shown **VS-ST-36S-29-RL-WA**

VS-ST-36S-29-RL-WA
Shown options creating a unique product code

List Price \$1,714

\$1,714
Price of unit shown

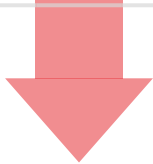
Use this information to locate the guide sections



To compare various combinations, use price chart



| Required Selections | | | | | | |
|----------------------|------------|---|--------------|--------------|--------------|--------------|
| Component | Code | Description | 36" Wide/Dia | 42" Wide/Dia | 48" Wide/Dia | 60" Wide/Dia |
| 1 Size | 36 | 36" Study Table | \$0 | - | - | - |
| | 42 | 42" Study Table | - | \$0 | - | - |
| | 48 | 48" Study Table | - | - | \$0 | - |
| | 60 | 60" Study Table | - | - | - | \$0 |
| 2 Top Shape | S | Square Top | \$1,609 | \$1,631 | \$1,652 | - |
| | D | Round Top | - | \$1,673 | \$1,714 | \$1,902 |
| | A | Amoeba Top | - | \$1,673 | \$1,714 | \$1,902 |
| 3 Height | 25 | 25" High Unit | \$0 | \$0 | \$0 | \$0 |
| | 27 | 27" High Unit | \$0 | \$0 | \$0 | \$0 |
| | 29 | 29" High Unit | \$0 | \$0 | \$0 | \$0 |
| 4 Leg Shape | RL | Round Legs | \$0 | \$0 | \$0 | \$0 |
| | DL | Diamond Legs | \$0 | \$0 | \$0 | \$0 |
| | SL | Square Legs | \$0 | \$0 | \$0 | \$0 |
| 5 Edge Detail | WK | 2" Wood Knife Edge <small>- Not available on amoeba tables</small> | \$394 | \$394 | \$394 | \$394 |
| | WA | 1/2" Wood "A" Edge <small>- Not available on amoeba tables</small> | \$105 | \$105 | \$105 | \$105 |
| | MM | 3mm PVC Edge | \$0 | \$0 | \$0 | \$0 |
| | PC | Powder Coat | \$0 | \$0 | \$0 | \$0 |
| Available Upgrades | | | | | | |
| Component | Code | Description | Round Leg | Diamond Leg | Square Leg | |
| 6 Wire Leg | -WL | Wire Leg | \$437 | \$437 | \$437 | |



VS-ST-36S-29-RL-WA

\$1,714

Study Tables

Designed and customized for every space



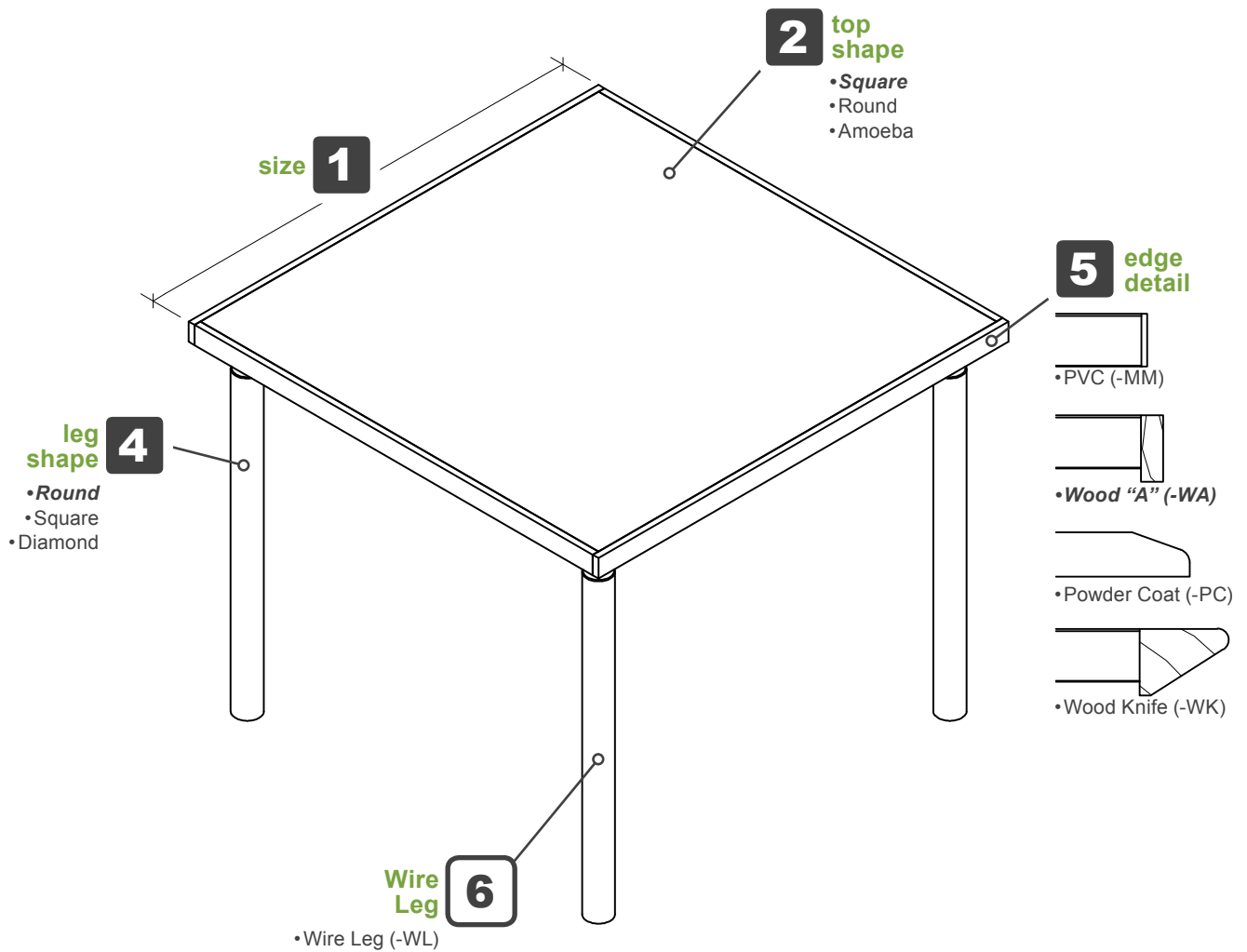
Versailles Study Table

Leg Base | Build Guide

Use the following guide to **determine the catalog number** for your Versailles Leg Base Study Table by **selecting your choice** from the available options. To **determine your list price**, add all prices for your selected items from the table to the right.

VS - ST - **1** **2** - **3** - **4** - **5**

size top shape height leg shape edge detail



Unit Shown VS-ST-36S-29-RL-WA

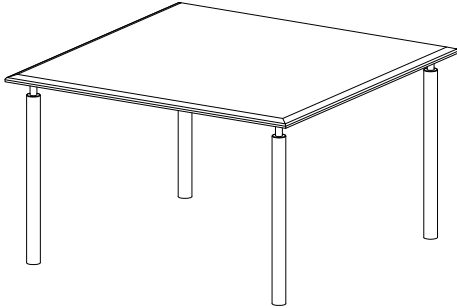
List Price \$1,714

| Required Selections | | | | | | |
|----------------------|------------|--|--------------|--------------|--------------|--------------|
| Component | Code | Description | 36" Wide/Dia | 42" Wide/Dia | 48" Wide/Dia | 60" Wide/Dia |
| 1 Size | 36 | 36" Study Table | \$0 | - | - | - |
| | 42 | 42" Study Table | - | \$0 | - | - |
| | 48 | 48" Study Table | - | - | \$0 | - |
| | 60 | 60" Study Table | - | - | - | \$0 |
| 2 Top Shape | S | Square Top | \$1,609 | \$1,631 | \$1,652 | - |
| | D | Round Top | - | \$1,673 | \$1,714 | \$1,902 |
| | A | Amoeba Top | - | \$1,673 | \$1,714 | \$1,902 |
| 3 Height | 25 | 25" High Unit | \$0 | \$0 | \$0 | \$0 |
| | 27 | 27" High Unit | \$0 | \$0 | \$0 | \$0 |
| | 29 | 29" High Unit | \$0 | \$0 | \$0 | \$0 |
| 4 Leg Shape | RL | Round Legs | \$0 | \$0 | \$0 | \$0 |
| | DL | Diamond Legs | \$0 | \$0 | \$0 | \$0 |
| | SL | Square Legs | \$0 | \$0 | \$0 | \$0 |
| 5 Edge Detail | WK | 2" Wood Knife Edge - Not available on amoeba tables | \$394 | \$394 | \$394 | \$394 |
| | WA | 1/2" Wood "A" Edge - Not available on amoeba tables | \$105 | \$105 | \$105 | \$105 |
| | MM | 3mm PVC Edge | \$0 | \$0 | \$0 | \$0 |
| | PC | Powder Coat | \$0 | \$0 | \$0 | \$0 |
| Available Upgrades | | | | | | |
| Component | Code | Description | Round Leg | Diamond Leg | Square Leg | |
| 6 Wire Leg | -WL | Wire Leg | \$437 | \$437 | \$437 | |

Versailles Study Tables

Leg Base | Popular Items

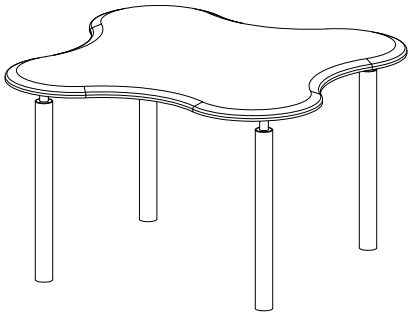
The following products are **popular and frequently ordered items**. The catalog number, description, actual footprint, and list prices are all provided. The items can be used exactly as-is, as a starting point for budgetary purposes, or simply as examples. Contact project management for any further information.



VS-ST-48S-29-RL-PC

List Price - \$1,652

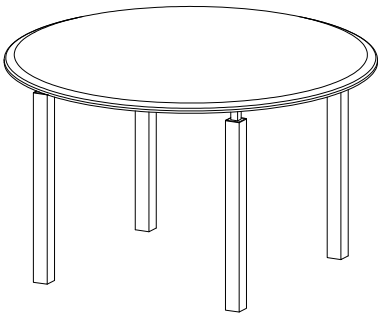
Nominal Size - 48" Sq. x 29"H
Actual Footprint - 48" Sq. x 29"H
Leg Shape - Square
Edge Detail - MDF powder coat



VS-ST-48A-25-RL-PC

List Price - \$1,714

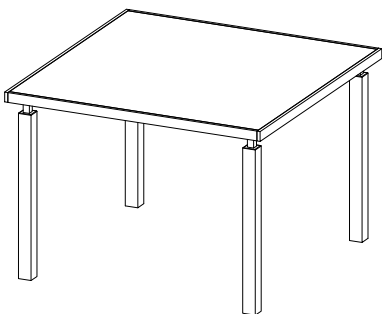
Nominal Size - 48"Dia. x 25"H
Actual Footprint - 48"Dia. x 25"H
Leg Shape - Round
Edge Detail - MDF powder coat



VS-ST-48D-29-SL-PC

List Price - \$1,714

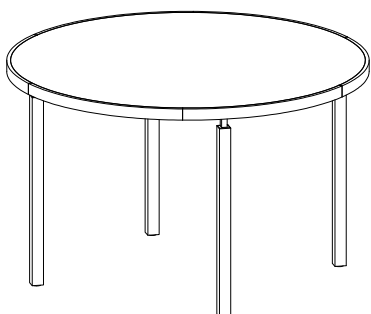
Nominal Size - 48" Dia. x 29"H
Actual Footprint - 48"Dia. x 29"H
Leg Shape - Square
Edge Detail - MDF powder coat



VS-ST-42S-29-SL-WA

List Price - \$1,736

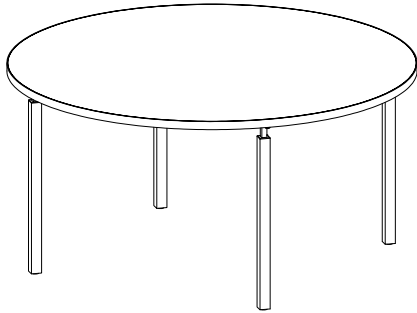
Nominal Size - 42" Sq. x 29"H
Actual Footprint - 41" Sq. x 29"H
Leg Shape - Square
Edge Detail - Wood "A"



VS-ST-48D-29-DL-WA

List Price - \$1,819

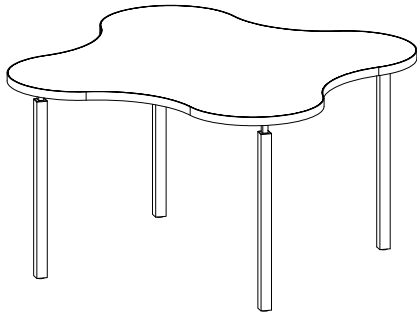
Nominal Size - 48" Dia. x 29"H
Actual Footprint - 47"Dia. x 29"H
Leg Shape - Diamond
Edge Detail - Wood "A"



VS-ST-60D-29-DL-MM

List Price - \$1,902

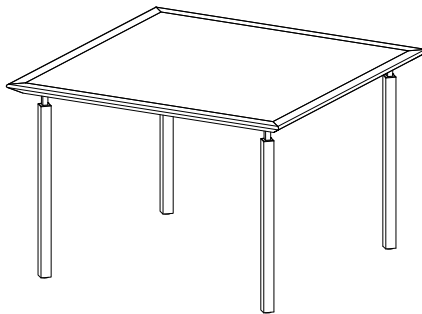
Nominal Size - 60" Dia. x 29"H
Actual Footprint - 58-1/4" Dia. x 29"H
Leg Shape - Diamond
Edge Detail - PVC



VS-ST-60A-29-DL-MM

List Price - \$1,902

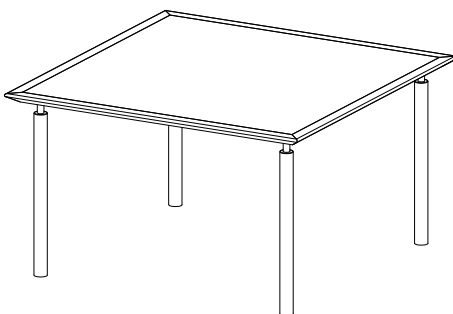
Nominal Size - 60" Dia. x 29"H
Actual Footprint - 58-1/4" Dia. x 29"H
Leg Shape - Diamond
Edge Detail - PVC



VS-ST-42S-29-DL-WK

List Price - \$2,024

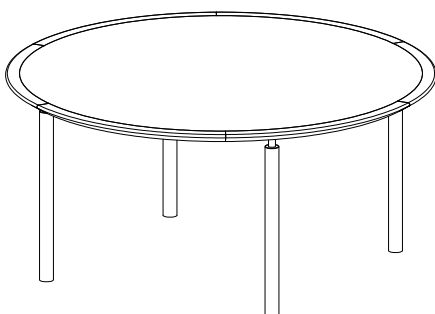
Nominal Size - 42" Sq. x 29"H
Actual Footprint - 44" Sq x 29"H
Leg Shape - Round
Edge Detail - Wood Knife



VS-ST-48S-29-RL-WK

List Price - \$2,045

Nominal Size - 48" Sq. x 29"H
Actual Footprint - 50" Sq. x 29"H
Leg Shape - Round
Edge Detail - Wood Knife



VS-ST-60D-29-RL-WK

List Price - \$2,295

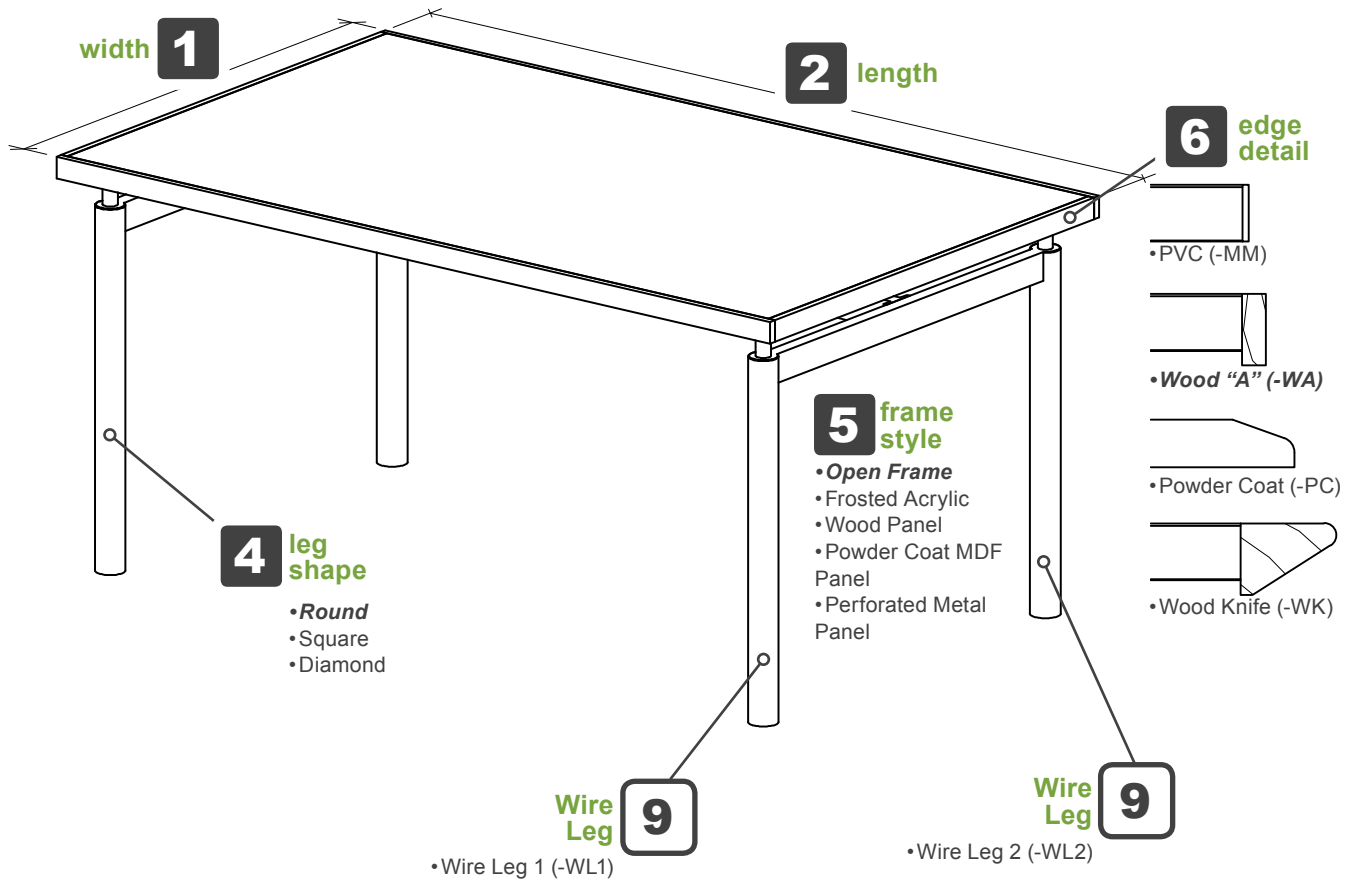
Nominal Size - 60" Dia. x 29"H
Actual Footprint - 62" Dia. x 29"H
Leg Shape - Round
Edge Detail - Wood Knife

Versailles Study Table

Frame Base | Build Guide

Use the following guide to **determine the catalog number** for your Versailles Frame Base Study Table by **selecting your choice** from the available options. To **determine your list price**, add all prices for your selected items from the table to the right.

VS - ST
- **1**
- **2**
- **3**
- **4**
- **5**
- **6**



Unit Shown VS-ST-3660-29-RO-WA

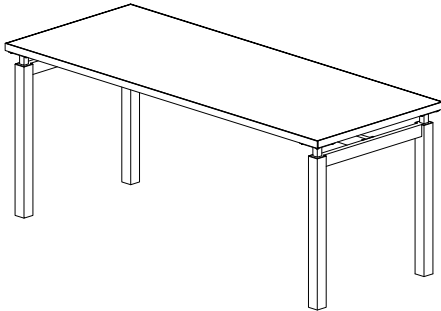
List Price \$2,164

| Required Selections | | | | | | |
|--------------------------|--|------------------------|----------|----------|----------|----------|
| Component | Code | Description | 30" Wide | 36" Wide | 42" Wide | 48" Wide |
| 1 Width | 30 | 30" Wide Study Table | \$0 | - | - | - |
| | 36 | 36" Wide Study Table | - | \$0 | - | - |
| | 42 | 42" Wide Study Table | - | - | \$0 | - |
| | 48 | 48" Wide Study Table | - | - | - | \$0 |
| 2 Length | 36 | 36" Long Study Table | \$1,914 | \$1,975 | - | - |
| | 48 | 48" Long Study Table | \$1,934 | \$2,018 | \$2,329 | \$2,349 |
| | 60 | 60" Long Study Table | \$1,975 | \$2,059 | \$2,370 | \$2,391 |
| | 72 | 72" Long Study Table | \$2,018 | \$2,100 | \$2,412 | \$2,495 |
| 3 Height | 25 | 25" High Unit | \$0 | \$0 | \$0 | \$0 |
| | 27 | 27" High Unit | \$0 | \$0 | \$0 | \$0 |
| | 29 | 29" High Unit | \$0 | \$0 | \$0 | \$0 |
| | 39 | 39" High Unit | \$210 | \$210 | \$210 | \$210 |
| 4 Leg Shape | R | Round Legs | \$0 | \$0 | \$0 | \$0 |
| | D | Diamond Legs | \$0 | \$0 | \$0 | \$0 |
| | S | Square Legs | \$0 | \$0 | \$0 | \$0 |
| 5 Frame Style | O | Open Frame | \$0 | \$0 | \$0 | \$0 |
| | A | Frosted Acrylic Panel | \$708 | \$754 | \$792 | \$832 |
| | W | Wood Panel | \$708 | \$754 | \$792 | \$832 |
| | C | Powder Coat MDF Panel | \$708 | \$754 | \$792 | \$832 |
| | P | Perforated Metal Panel | \$832 | \$832 | \$832 | \$832 |
| 6 Edge Detail | WK | 2" Wood Knife Edge | \$394 | \$394 | \$394 | \$394 |
| | WA | 1/2" Wood "A" Edge | \$105 | \$105 | \$105 | \$105 |
| | MM | 3mm PVC Edge | \$0 | \$0 | \$0 | \$0 |
| | PC | Powder Coat | \$0 | \$0 | \$0 | \$0 |
| Available Upgrades | | | | | | |
| Component | Code | Description | 30" Wide | 36" Wide | 42" Wide | 48" Wide |
| 7 Power | -AZ | Axil Z Cutout | - | - | \$47 | \$47 |
| | -Power unit ordered seperately | | | | | |
| Component | Code | Description | 36" Long | 48" Long | 60" Long | 72" Long |
| 8 Wire Management | -WM | Wire Management Tray | \$208 | \$271 | \$292 | \$312 |
| | -Not available on units under 42" wide | | | | | |
| 9 Wire Leg | -WL1 | Wire Leg Location 1 | \$437 | \$437 | \$437 | \$437 |
| | -WL2 | Wire Leg Location 2 | \$437 | \$437 | \$437 | \$437 |

Versailles Study Table

Frame Base | Popular Items

The following products are **popular and frequently ordered items**. The catalog number, description, actual footprint, and list prices are all provided. The items can be used exactly as-is, as a starting point for budgetary purposes, or simply as examples. Contact project management for any further information.



VS-ST-3072-29-SO-MM

List Price - \$2,018

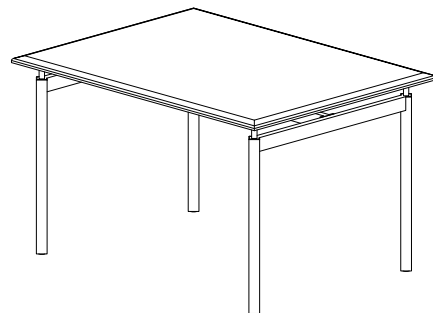
Nominal Size - 30"W x 72"L x 29"H

Actual Footprint - 28-1/4"W x 70-1/4"L x 29"H

Leg Shape - Round

Frame Style - Open

Edge Detail - PVC



VS-ST-3648-29-DO-PC

List Price - \$2,018

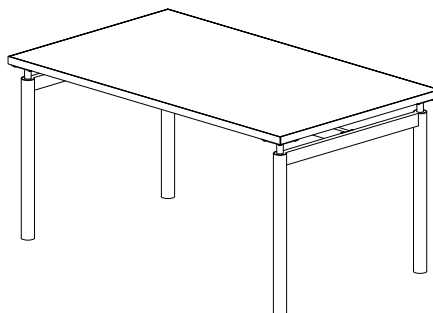
Nominal Size - 36"W x 48"L x 29"H

Actual Footprint - 36"W x 48"L x 29"H

Leg Shape - Diamond

Frame Style - Open

Edge Detail - MDF, powder coat



VS-ST-3660-29-RO-MM

List Price - \$2,059

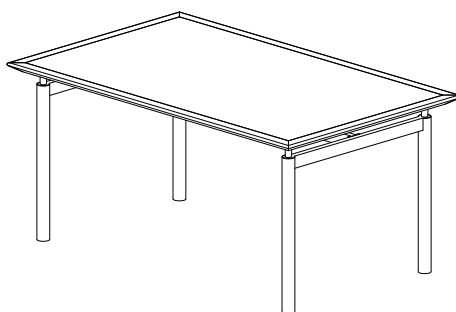
Nominal Size - 36"W x 60"L x 29"H

Actual Footprint - 34-1/4"W x 58-1/4"L x 29"H

Leg Shape - Round

Frame Style - Open

Edge Detail - PVC



VS-ST-3660-29-RO-WK

List Price - \$2,453

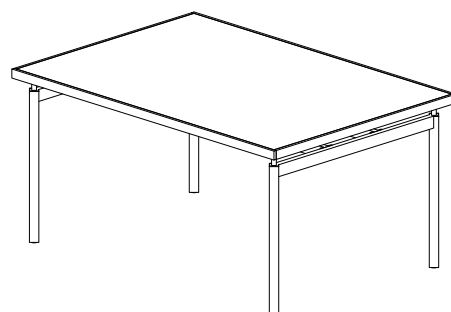
Nominal Size - 36"W x 60"L x 29"H

Actual Footprint - 38"W x 62"L x 29"H

Leg Shape - Round

Frame Style - Open

Edge Detail - Wood Knife



VS-ST-4260-29-DO-WA

List Price - \$2,475

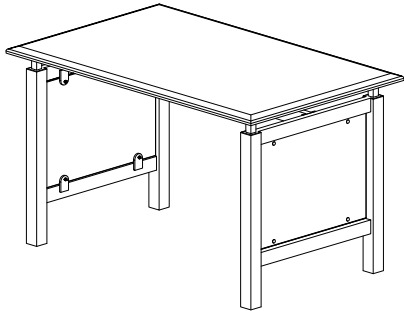
Nominal Size - 42"W x 60"L x 29"H

Actual Footprint - 41"W x 59"L x 29"H

Leg Shape - Diamond

Frame Style - Open

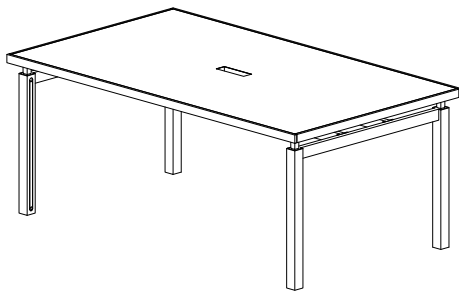
Edge Detail - Wood "A"



VS-ST-3048-29-SC-PC

List Price - \$2,642

Nominal Size - 30"W x 48"L x 29"H
Actual Footprint - 30"W x 48"L x 29"H
Leg Shape - Square
Frame Style - MDF, power coat
Edge Detail - MDF, powder coat

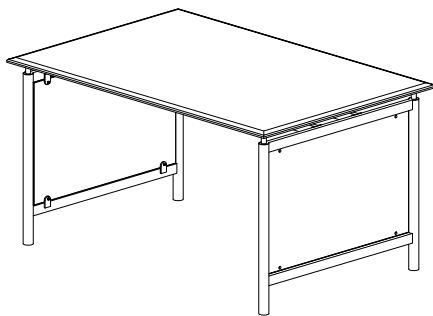


VS-ST-4272-29-SO-WA-AZ-WL2

List Price - \$3,001

Nominal Size - 42"W x 72"L x 29"H
Actual Footprint - 41"W x 71"L x 29"H
Leg Shape - Square
Frame Style - Open
Edge Detail - Wood "A"

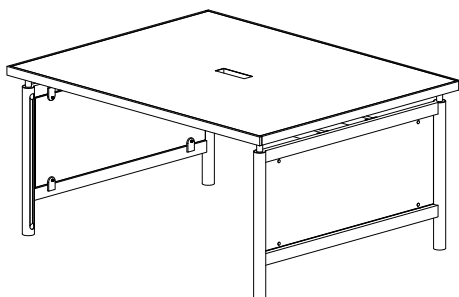
Power - Axil Z Cutout
Wire Leg - Location 2



VS-ST-4872-39-RA-PC

List Price - \$3,536

Nominal Size - 48"W x 72"L x 39"H
Actual Footprint - 48"W x 72"L x 39"H
Leg Shape - Round
Frame Style - Frosted acrylic panel
Edge Detail - MDF, powder coat

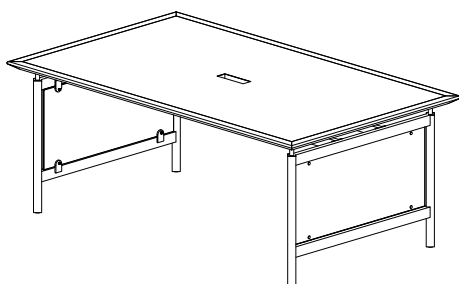


VS-ST-4860-29-RW-WA-AZ-WL2

List Price - \$3,812

Nominal Size - 48"W x 60"L x 29"H
Actual Footprint - 47"W x 59"L x 29"H
Leg Shape - Round
Frame Style - Wood panel
Edge Detail - Wood "A"

Power - Axil Z Cutout
Wire Leg - Location 2



VS-ST-4272-29-DA-WK-AZ-WM

List Price - \$3,956

Nominal Size - 42"W x 72"L x 29"H
Actual Footprint - 44"W x 74"L x 29"H
Leg Shape - Diamond
Frame Style - Frosted acrylic panel

Edge Detail - Wood knife
Power - Axil Z Cutout
Wire Management - Tray

Computer Tables

Providing the user with the perfect platform



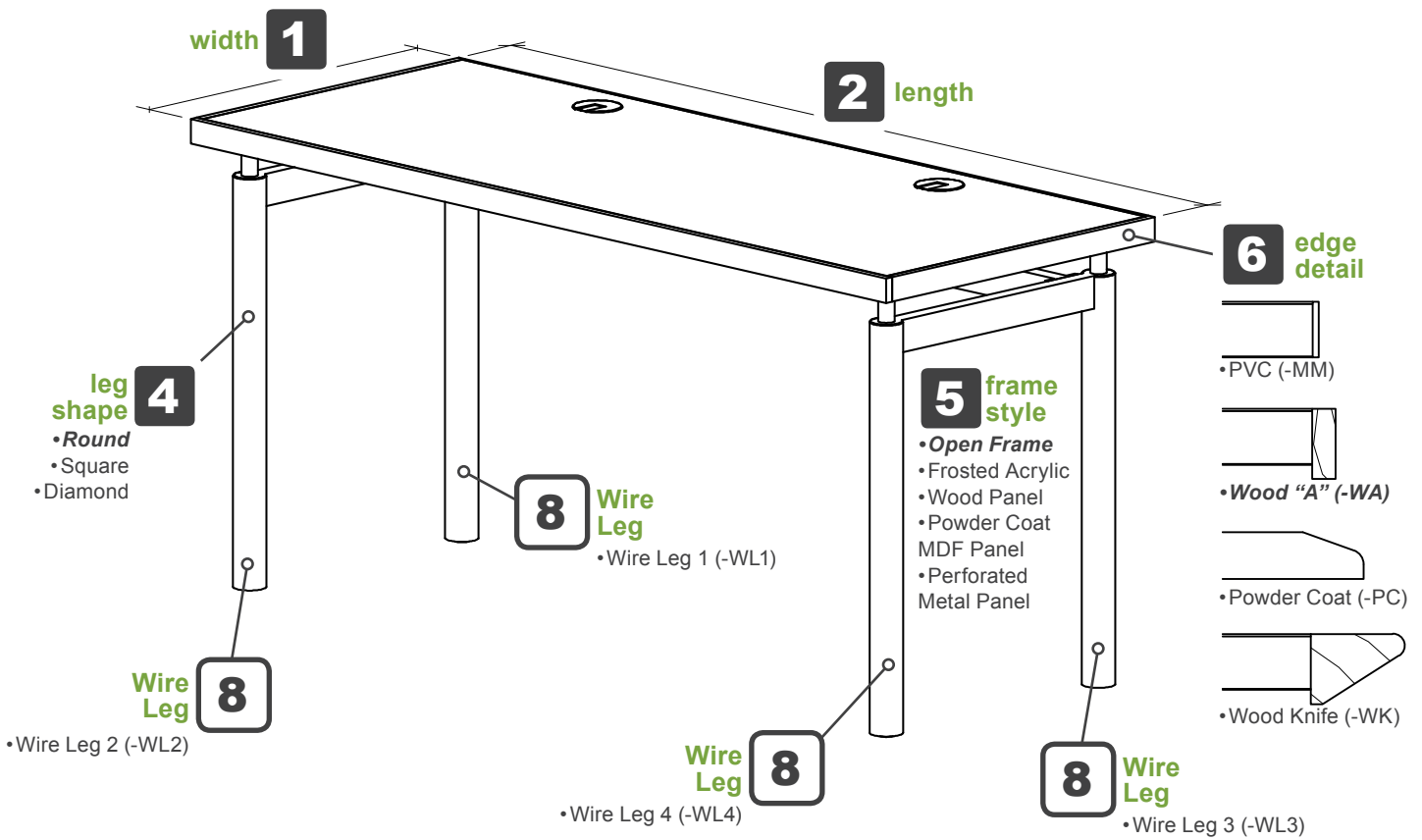
Versailles Computer Tables

Single Face | Build Guide

Use the following guide to **determine the catalog number** for your Versailles Single Face Computer Table by **selecting your choice** from the available options. To **determine your list price**, add all prices for your selected items from the table to the right.

width
length
height
leg shape
frame style
edge detail

VS - **CT** - **1** - **2** - **3** - **4** - **5** - **6**



Unit Shown VS-CT-2460-29-RO-WA

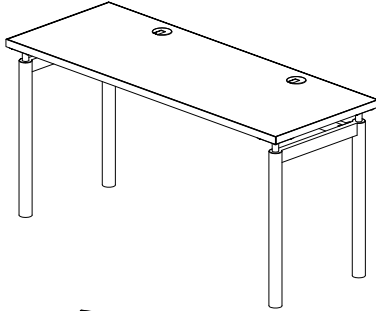
List Price \$2,247

| Required Selections | | | | | | |
|------------------------|------|-------------------------------------|----------|----------|----------|----------|
| Component | Code | Description | 24" Wide | 30" Wide | | |
| 1 Width | 24 | 24" Wide Computer Table | \$0 | - | | |
| | 30 | 30" Wide Computer Table | - | \$0 | | |
| 2 Length | 30 | 30" Long Computer Table (1 Station) | \$1,997 | \$2,018 | | |
| | 36 | 36" Long Computer Table (1 Station) | \$2,018 | \$2,038 | | |
| | 60 | 60" Long Computer Table (2 Station) | \$2,142 | \$2,163 | | |
| | 72 | 72" Long Computer Table (2 Station) | \$2,163 | \$2,205 | | |
| 3 Height | 25 | 25" High Unit | \$0 | \$0 | | |
| | 27 | 27" High Unit | \$0 | \$0 | | |
| | 29 | 29" High Unit | \$0 | \$0 | | |
| | 39 | 39" High Unit | \$210 | \$210 | | |
| 4 Leg Shape | R | Round Legs | \$0 | \$0 | | |
| | D | Diamond Legs | \$0 | \$0 | | |
| | S | Square Legs | \$0 | \$0 | | |
| 5 Frame Style | O | Open Frame | \$0 | \$0 | | |
| | A | Frosted Acrylic Panel | \$666 | \$708 | | |
| | W | Wood Panel | \$666 | \$708 | | |
| | C | Powder Coat MDF Panel | \$666 | \$708 | | |
| | P | Perforated Metal Panel | \$832 | \$832 | | |
| 6 Edge Detail | WK | 2" Wood Knife Edge | \$394 | \$394 | | |
| | WA | 1/2" Wood "A" Edge | \$105 | \$105 | | |
| | MM | 3mm PVC Edge | \$0 | \$0 | | |
| | PC | Powder Coat | \$0 | \$0 | | |
| Available Upgrades | | | | | | |
| Component | Code | Description | 30" Long | 36" Long | 60" Long | 72" Long |
| 7 Divider Style | -AR | Acrylic Divider | \$312 | \$354 | \$395 | \$437 |
| | -WR | Wood Divider | \$312 | \$354 | \$395 | \$437 |
| | -PR | Perforated Metal Divider | \$499 | \$566 | \$632 | \$699 |
| 8 Wire Leg | -WL1 | Wire Leg Location 1 | \$437 | \$437 | \$437 | \$437 |
| | -WL2 | Wire Leg Location 2 | \$437 | \$437 | \$437 | \$437 |
| | -WL3 | Wire Leg Location 3 | \$437 | \$437 | \$437 | \$437 |
| | -WL4 | Wire Leg Location 4 | \$437 | \$437 | \$437 | \$437 |

Versailles Computer Tables

Single Face | Popular Items

The following products are **popular and frequently ordered items**. The catalog number, description, actual footprint, and list prices are all provided. The items can be used exactly as-is, as a starting point for budgetary purposes, or simply as examples. Contact project management for any further information.



VS-CT-2460-29-RO-MM

Nominal Size - 24"W x 60"L x 29"H

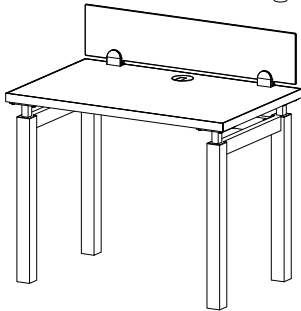
Actual Footprint - 22-1/4"W x 58-1/4"L x 29"H

Leg Shape - Round

Frame Style - Open

Edge Detail - PVC

List Price - \$2,142



VS-CT-2436-27-SO-MM-AR

Nominal Size - 24"W x 36"L x 27"H

Actual Footprint - 22-1/4"W x 34-1/4"L x 27"H

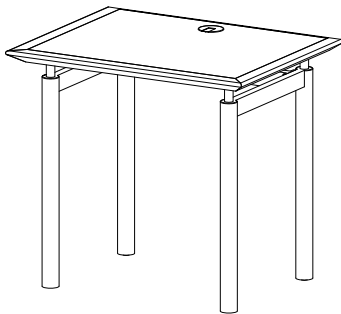
Leg Shape - Square

Frame Style - Open

Edge Detail - PVC

List Price - \$2,372

Divider Style - Frosted Acrylic



VS-CT-2430-29-RO-WK

Nominal Size - 24"W x 30"L x 29"H

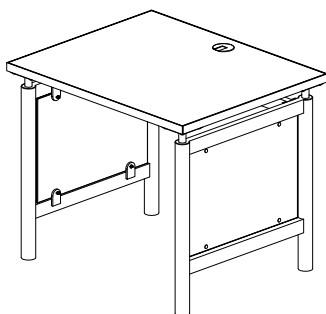
Actual Footprint - 24-1/4"W x 32"L x 29"H

Leg Shape - Round

Frame Style - Open

Edge Detail - Wood knife

List Price - \$2,391



VS-CT-3036-29-RA-MM

Nominal Size - 30"W x 36"L x 29"H

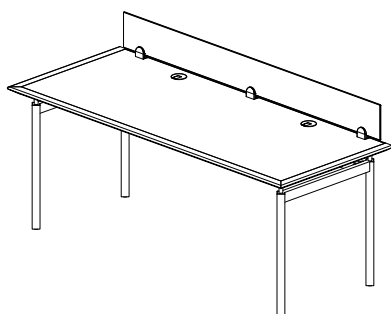
Actual Footprint - 28-1/4"W x 34-1/4"L x 29"H

Leg Shape - Round

Frame Style - Frosted acrylic panel

Edge Detail - PVC

List Price - \$2,746



VS-CT-3072-29-DO-WK-AR

Nominal Size - 30"W x 72"L x 29"H

Actual Footprint - 24-1/4"W x 74"L x 29"H

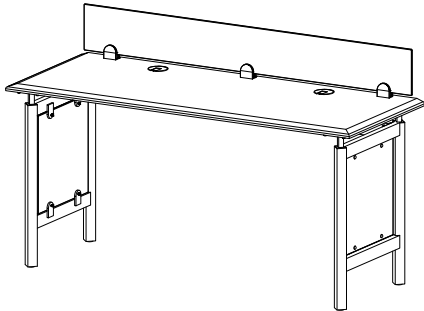
Leg Shape - Diamond

Frame Style - Open

Edge Detail - Wood knife

List Price - \$3,036

Divider Style - Frosted Acrylic

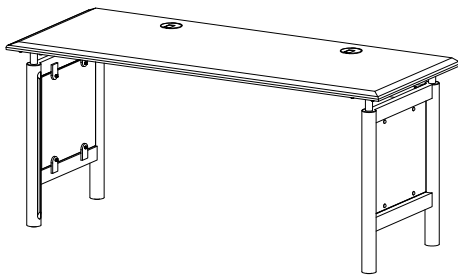


VS-CT-2460-29-DA-PC-AR

Nominal Size - 24"W x 60"L x 29"H
Actual Footprint - 23-1/4"W x 60"L x 29"H
Leg Shape - Diamond
Frame Style - Frosted acrylic panel
Edge Detail - MDF, powder coat

List Price - \$3,203

Divider Style - Frosted Acrylic

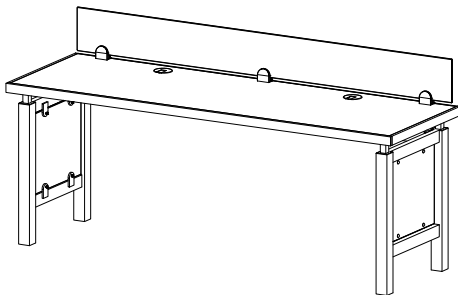


VS-CT-2460-29-RC-PC-WL2

Nominal Size - 24"W x 60"L x 29"H
Actual Footprint - 23-1/4"W x 32"L x 29"H
Leg Shape - Round
Frame Style - MDF, powder coat panel
Edge Detail - MDF, powder coat

List Price - \$3,245

Wire Leg - Location 2

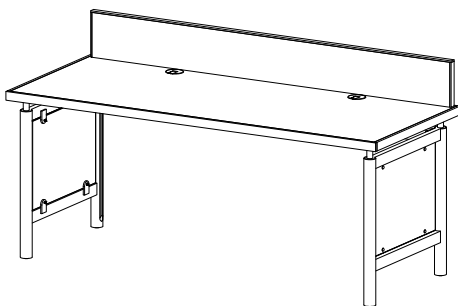


VS-CT-2472-29-SA-WA-AR

Nominal Size - 24"W x 72"L x 29"H
Actual Footprint - 22-3/4"W x 71"L x 29"H
Leg Shape - Square
Frame Style - Frosted acrylic panel
Edge Detail - Wood "A"

List Price - \$3,371

Divider Style - Frosted Acrylic



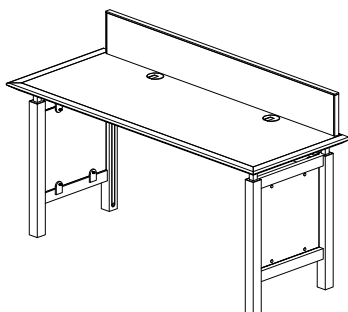
VS-CT-3072-29-RW-WA-WR-WL1

Nominal Size - 30"W x 72"L x 29"H
Actual Footprint - 28-3/4"W x 71"L x 29"H
Leg Shape - Round
Frame Style - Wood panel
Edge Detail - Wood "A"

List Price - \$3,891

Divider Style - Wood

Wire Leg - Location 1



VS-CT-2460-29-SW-WK-WR-WL1

Nominal Size - 24"W x 60"L x 29"H
Actual Footprint - 24-1/4"W x 62"L x 29"H
Leg Shape - Square
Frame Style - Wood panel

List Price - \$4,033

Edge Detail - Wood "A"

Divider Style - Wood

Wire Leg - Location 1

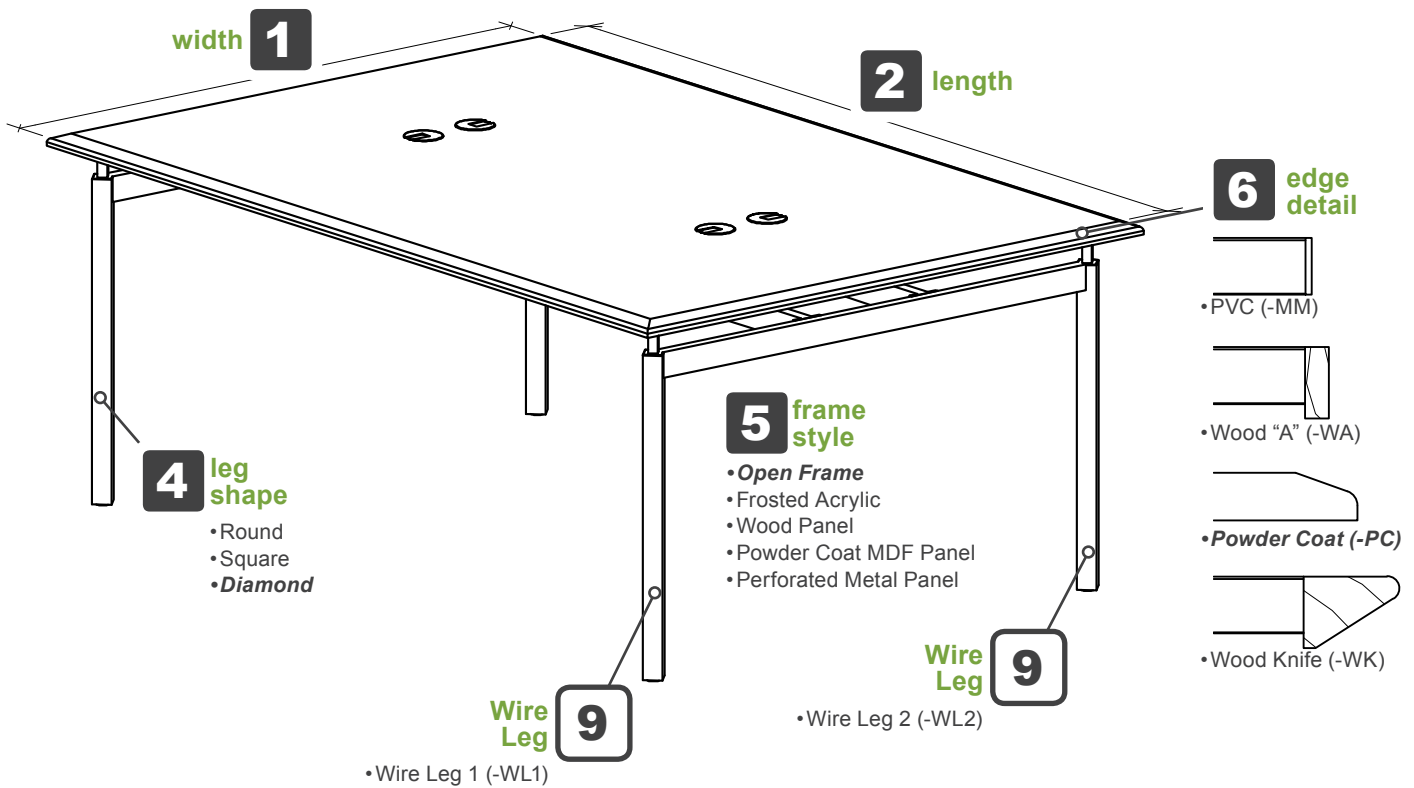
Versailles Computer Tables

Double Face | Build Guide

Use the following guide to **determine the catalog number** for your Versailles Double Face Computer Table by **selecting your choice** from the available options. To **determine your list price**, add all prices for your selected items from the table to the right.

width
length
height
leg shape
frame style
edge detail

VS - **CT** - **1** - **2** - **3** - **4** - **5** - **6**



Unit Shown VS-CT-4872-29-DO-PC

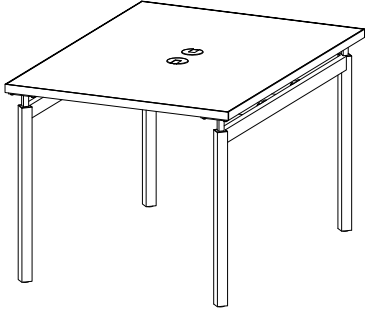
List Price \$2,828

| Required Selections | | | | | | | |
|---------------------|------------------------|-------------|-------------------------------------|----------|----------|----------|-------|
| Component | Code | Description | 48" Wide | | | | |
| 1 | Width | 48 | 48" Wide Computer Table | \$0 | | | |
| 2 | Length | 30 | 30" Long Computer Table (2 Station) | \$2,370 | | | |
| | | 36 | 36" Long Computer Table (2 Station) | \$2,454 | | | |
| | | 60 | 60" Long Computer Table (4 Station) | \$2,724 | | | |
| | | 72 | 72" Long Computer Table (4 Station) | \$2,828 | | | |
| 3 | Height | 25 | 25" High Unit | \$0 | | | |
| | | 27 | 27" High Unit | \$0 | | | |
| | | 29 | 29" High Unit | \$0 | | | |
| | | 39 | 39" High Unit | \$210 | | | |
| 4 | Leg Shape | R | Round Legs | \$0 | | | |
| | | D | Diamond Legs | \$0 | | | |
| | | S | Square Legs | \$0 | | | |
| 5 | Frame Style | O | Open Frame | \$0 | | | |
| | | A | Frosted Acrylic Panel | \$832 | | | |
| | | W | Wood Panel | \$832 | | | |
| | | C | Powder Coat MDF Panel | \$832 | | | |
| | | P | Perforated Metal Panel | \$832 | | | |
| 6 | Edge Detail | WK | 2" Wood Knife Edge | \$394 | | | |
| | | WA | 1/2" Wood "A" Edge | \$105 | | | |
| | | MM | 3mm PVC Edge | \$0 | | | |
| | | PC | Powder Coat | \$0 | | | |
| Available Upgrades | | | | | | | |
| Component | Code | Description | 30" Long | 36" Long | 60" Long | 72" Long | |
| 7 | Divider Style | -AR | Acrylic Divider | \$312 | \$354 | \$395 | \$437 |
| | | -WR | Wood Divider | \$312 | \$354 | \$395 | \$437 |
| | | -PR | Perforated Metal Divider | \$499 | \$566 | \$632 | \$699 |
| 8 | Wire Management | -WM | Wire Manager Tray | \$188 | \$208 | \$292 | \$312 |
| 9 | Wire Leg | -WL1 | Wire Leg Location 1 | \$437 | \$437 | \$437 | \$437 |
| | | -WL2 | Wire Leg Location 2 | \$437 | \$437 | \$437 | \$437 |

Versailles Computer Tables

Double Face | Popular Items

The following products are **popular and frequently ordered items**. The catalog number, description, actual footprint, and list prices are all provided. The items can be used exactly as-is, as a starting point for budgetary purposes, or simply as examples. Contact project management for any further information.



VS-CT-4836-29-DO-MM

List Price - \$2,454

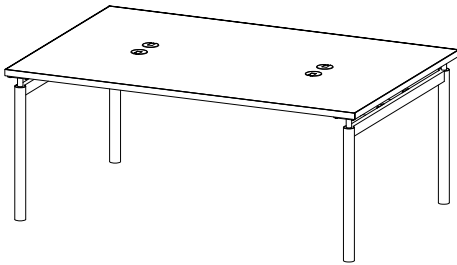
Nominal Size - 48"W x 36"L x 29"H

Actual Footprint - 46-1/4"W x 34-1/4"L x 29"H

Leg Shape - Diamond

Frame Style - Open

Edge Detail - PVC



VS-CT-4872-29-RO-MM

List Price - \$2,828

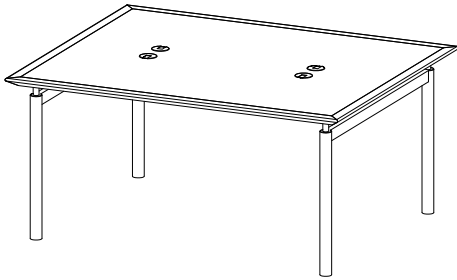
Nominal Size - 48"W x 72"L x 29"H

Actual Footprint - 46-1/4"W x 70-1/4"L x 29"H

Leg Shape - Round

Frame Style - Open

Edge Detail - PVC



VS-CT-4860-29-RO-WK

List Price - \$3,117

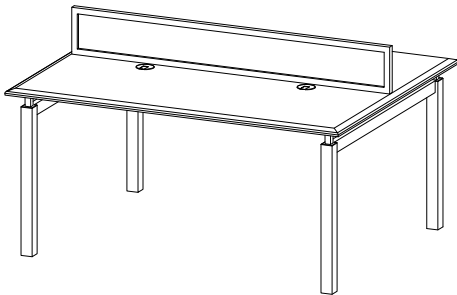
Nominal Size - 48"W x 60"L x 29"H

Actual Footprint - 50"W x 62"L x 29"H

Leg Shape - Round

Frame Style - Open

Edge Detail - Wood knife



VS-CT-4860-29-SO-PC-PR

List Price - \$3,356

Divider Style - Perforated metal

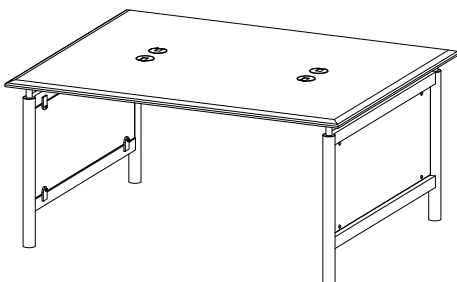
Nominal Size - 48"W x 60"L x 29"H

Actual Footprint - 48"W x 60"L x 29"H

Leg Shape - Square

Frame Style - Open

Edge Detail - MDF, powder coat



VS-CT-4860-29-RC-PC

List Price - \$3,555

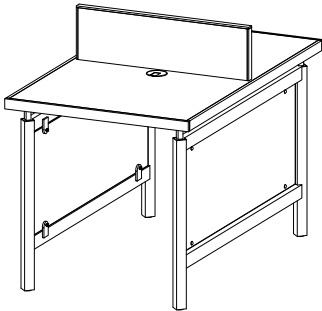
Nominal Size - 48"W x 60"L x 29"H

Actual Footprint - 48"W x 60"L x 29"H

Leg Shape - Round

Frame Style - MDF, powder coat panel

Edge Detail - MDF, powder coat

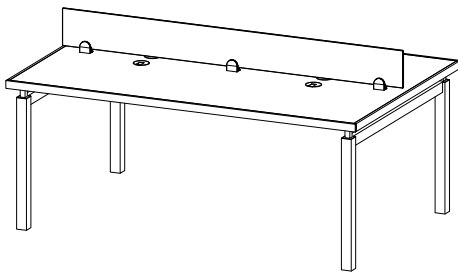


VS-CT-4830-29-DW-WA-WR

Nominal Size - 48"W x 30"L x 29"H
Actual Footprint - 47"W x 29"L x 29"H
Leg Shape - Diamond
Frame Style - Wood panel
Edge Detail - Wood "A"

List Price - \$3,618

Divider Style - Wood

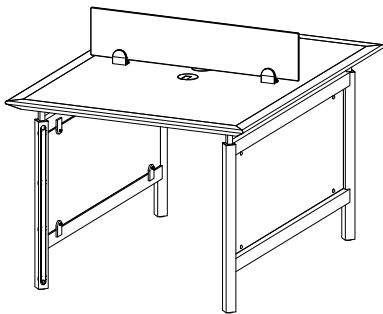


VS-CT-4872-29-SA-WA-AR

Nominal Size - 48"W x 72"L x 29"H
Actual Footprint - 47"W x 71"L x 29"H
Leg Shape - Square
Frame Style - Frosted acrylic panel
Edge Detail - Wood "A"

List Price - \$4,201

Divider Style - Frosted acrylic



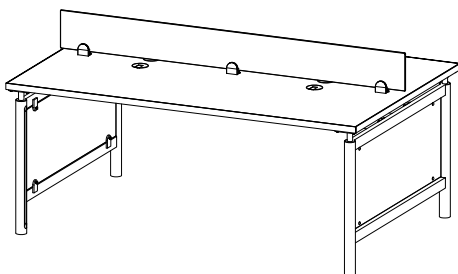
VS-CT-4836-29-DA-WK-AR-WL2

Nominal Size - 48"W x 36"L x 29"H
Actual Footprint - 50"W x 38"L x 29"H
Leg Shape - Diamond
Frame Style - Frosted acrylic panel
Edge Detail - Wood knife

List Price - \$4,470

Divider Style - Frosted acrylic

Wire Leg - Location 2



VS-CT-4872-29-RA-MM-AR-WM-WL2

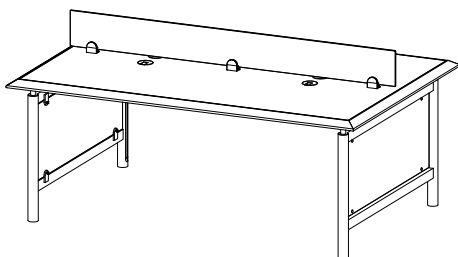
Nominal Size - 48"W x 60"L x 29"H
Actual Footprint - 46-1/4"W x 70-1/4"L x 29"H
Leg Shape - Round
Frame Style - Frosted acrylic panel
Edge Detail - Wood knife

List Price - \$4,845

Divider Style - Frosted acrylic

Wire Management - Tray

Wire Leg - Location 2



VS-CT-4872-29-RA-WK-AR-WM-WL1

Nominal Size - 48"W x 72"L x 29"H
Actual Footprint - 50"W x 62"L x 29"H
Leg Shape - Round
Frame Style - Frosted acrylic panel

List Price - \$5,238

Edge Detail - Wood knife (rev.)

Divider Style - Frosted acrylic

Wire Management - Tray

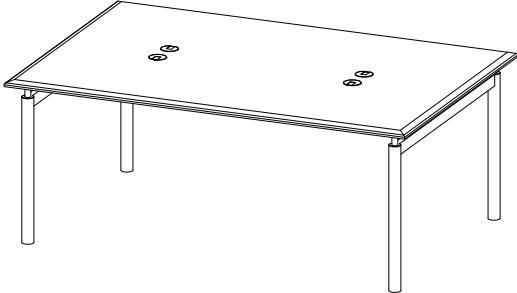
Wire Leg - Location 1



Versailles Desking

Terminology and Tips

The following guide is provided as a reference to some of LIAT's **Versailles Desking terminology** along with tips to help with the planning process.

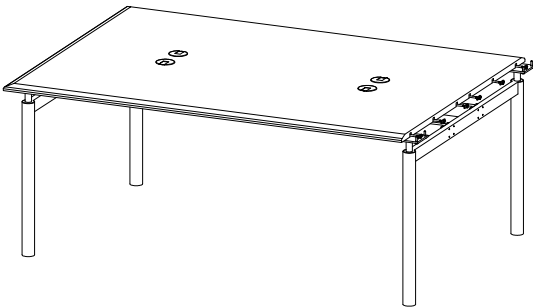


ISLAND

Island units are **stand-alone** or free-standing units.

The top is banded and/or profiled on all 4 sides.

The unit includes (2) end frames.



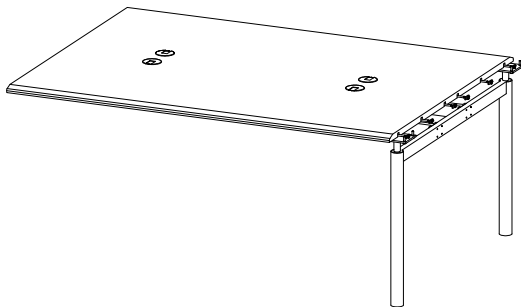
STARTER

Starter units act as a **starting point** for a run of desking units.

The top is banded and/or profiled on 2 long edges and 1 end.

The unit includes (1) end frame and (1) intermediate frame to be shared with the next unit in the run.

All starters must be ordered with an end unit.



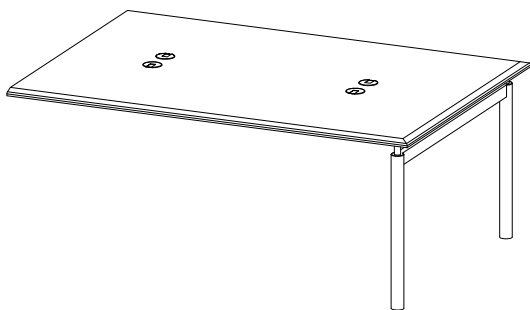
ADDER

Adder units act as an **extension** for a run of desking units.

The top is banded and/or profiled on 2 long edges only.

The unit includes (1) intermediate frame to be shared with the next unit in the run.

All adders must be ordered with both a starter and an end unit. There is no limit to the amount of adders allowed in a given run.



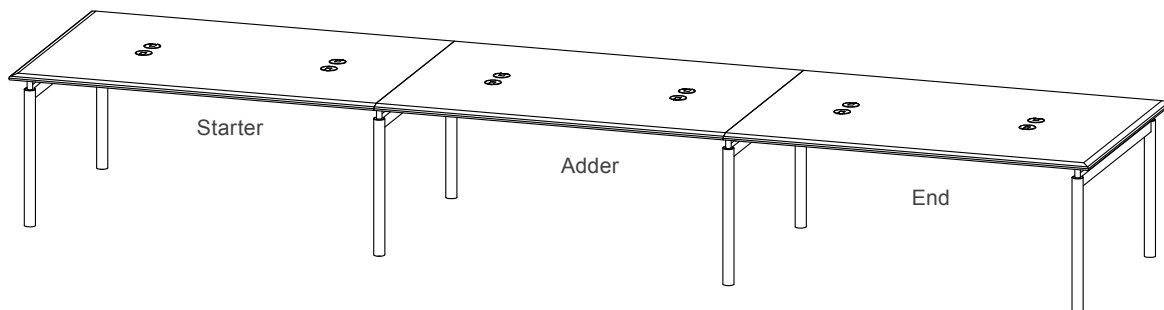
END

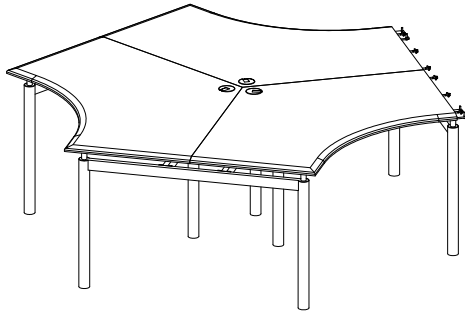
End units act as an **ending point** for a run of desking units.

The top is banded and/or profiled on 2 long edges and 1 end.

The unit includes (1) end frame.

All ends must be ordered with a starter unit.





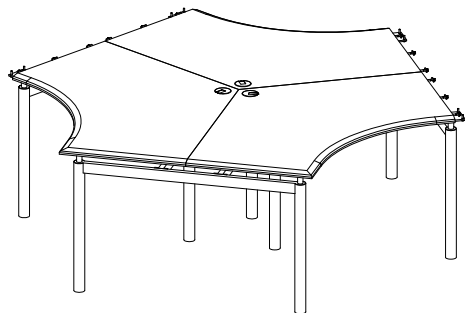
STARTER 1 (PODS)

Starter-1 units start a desking run in one direction.

The top is banded and/or profiled on all user sides and 2 ends

The unit includes (2) end frames and (1) intermediate frame to be shared with the next unit in the run.

There must be 1 end unit ordered for every Starter 1 unit.



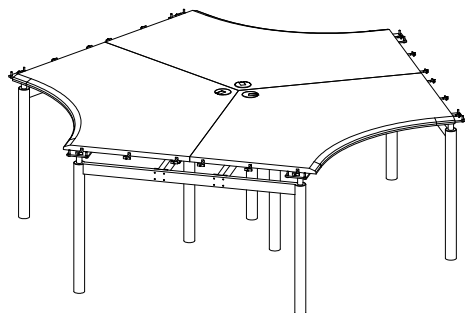
STARTER 2 (PODS)

Starter-2 units start a desking run in two directions.

The top is banded and/or profiled on all user sides and 1 end

The unit includes (1) end frame and (2) intermediate frames to be shared with the next units in the run.

There must be 2 end units ordered for every Starter 2 unit.



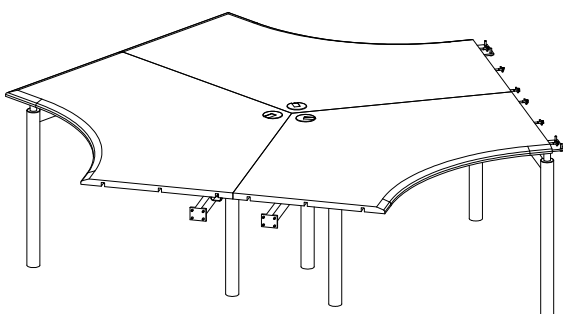
STARTER 3 (PODS)

Starter-3 units start a desking run in three directions.

The top is banded and/or profiled on all user sides.

The unit includes (3) intermediate frames to be shared with the next units in the run.

There must be 3 end units ordered for every Starter 3 unit.



ADDER 1 (PODS)

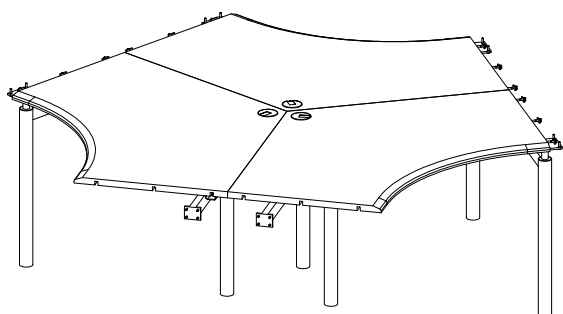
Adder-1 units continue a desking run in one direction.

The top is banded and/or profiled on all user sides and 1 ends.

The unit includes (1) end frame and (1) intermediate frame to be shared with the next unit in the run.

All Adder-1 units must be ordered with both a starter and an end unit.

There is no limit to the amount of adders allowed in a given run.



ADDER 2 (PODS)

Adder-2 units continue a desking run in two directions.

The top is banded and/or profiled on all user sides

The unit includes (2) intermediate frames to be shared with the next unit in the run.

All Adder-2 units must be ordered with both a starter and 2 end units. Multiple end units may be required

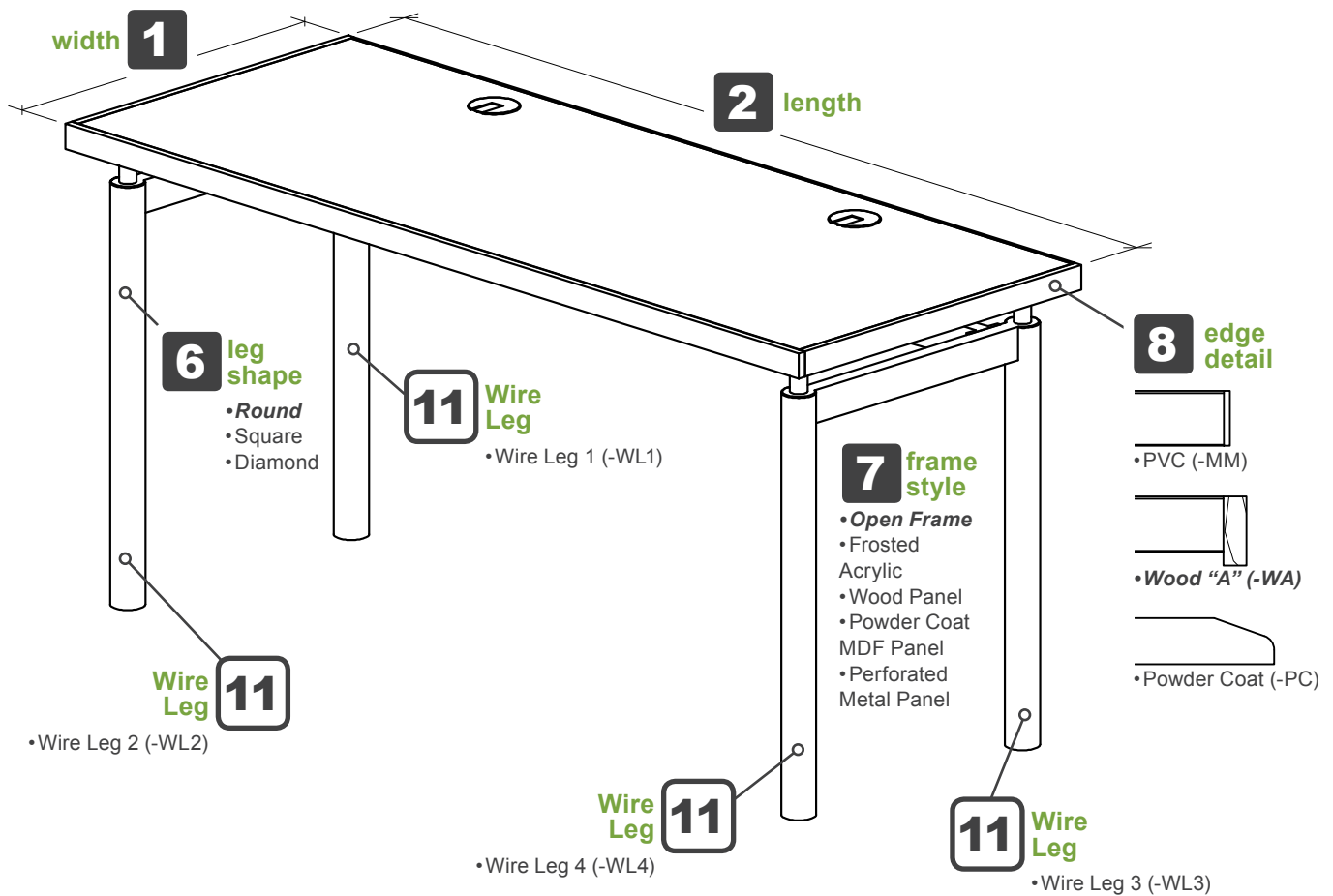
There is no limit to the amount of adders allowed in a given run.

Versailles Desking

Single Face/Straight | Build Guide

Use the following guide to **determine the catalog number** for your Versailles Single Face Straight Desking by **selecting your choice** from the available options. To **determine your list price**, add all prices for your selected items from the table to the right.

| | width | length | top type | height | unit type | leg shape | frame style | edge detail |
|------------------|----------|----------|----------|----------|-----------|-----------|-------------|-------------|
| VS - DK - | 1 | 2 | 3 | 4 | 5 | 6 | 7 | 8 |



Unit Shown VS-DK-2460SS-29-I-RO-WA

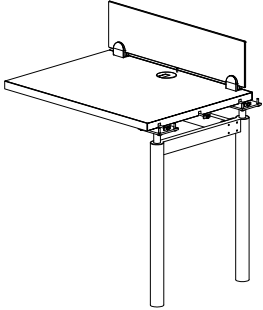
List Price \$2,247

| Required Selections | | | | | | | |
|---------------------|---------------|---|---------------------------------------|------------------------|----------|----------|-------|
| Component | Code | Description | 24" Wide | 30" Wide | | | |
| 1 | Width | 24 | 24" Wide Straight Desking | \$0 | - | | |
| | | 30 | 30" Wide Straight Desking | - | \$0 | | |
| 2 | Length | 30 | 30" Long Straight Desking (1 Station) | \$1,331 | \$1,352 | | |
| | | 36 | 36" Long Straight Desking (1 Station) | \$1,352 | \$1,372 | | |
| | | 60 | 60" Long Straight Desking (2 Station) | \$1,476 | \$1,497 | | |
| | | 72 | 72" Long Straight Desking (2 Station) | \$1,497 | \$1,539 | | |
| 3 | Top Type | SS | Solid Straight Top | \$0 | \$0 | | |
| 4 | Height | 25 | 25" High Unit | \$0 | \$0 | | |
| | | 27 | 27" High Unit | \$0 | \$0 | | |
| | | 29 | 29" High Unit | \$0 | \$0 | | |
| | | 39 | 39" High Unit | \$210 | \$210 | | |
| 5 | Unit Type | I | Island | \$666 | \$666 | | |
| | | S | Starter | \$666 | \$666 | | |
| | | A | Adder | \$0 | \$0 | | |
| | | E | End | \$0 | \$0 | | |
| 6 | Leg Shape | R | Round Legs | \$0 | \$0 | | |
| | | D | Diamond Legs | \$0 | \$0 | | |
| | | S | Square Legs | \$0 | \$0 | | |
| 7 | Frame Style | O | Open Frame | \$0 | \$0 | | |
| | | -Adder units must be open frame | | | | | |
| | | Island Units | A | Frosted Acrylic Panel | \$666 | \$708 | |
| | | | W | Wood Panel | \$666 | \$708 | |
| | | | C | Powder Coat MDF Panel | \$666 | \$708 | |
| | | | P | Perforated Metal Panel | \$832 | \$832 | |
| | | Starter & End Units | A | Frosted Acrylic Panel | \$333 | \$354 | |
| | | | W | Wood Panel | \$333 | \$354 | |
| | | | C | Powder Coat MDF Panel | \$333 | \$354 | |
| | | | P | Perforated Metal Panel | \$416 | \$416 | |
| 8 | Edge Detail | WA | 1/2" Wood "A" Edge | \$105 | \$105 | | |
| | | MM | 3mm PVC Edge | \$0 | \$0 | | |
| | | PC | Powder Coat | \$0 | \$0 | | |
| Available Upgrades | | | | | | | |
| Component | Code | Description | 30" Long | 36" Long | 60" Long | 72" Long | |
| 9 | Divider Style | -AR | Acrylic Divider | \$312 | \$354 | \$395 | \$437 |
| 10 | Power | -AZ | Axil Z Cutout | - | - | \$47 | \$47 |
| | | -Power unit must be ordered separately. | | | | | |
| 11 | Wire Leg | -WL1 | Wire Leg Location 1 | \$437 | \$437 | \$437 | \$437 |
| | | -WL2 | Wire Leg Location 2 | \$437 | \$437 | \$437 | \$437 |
| | | -WL3 | Wire Leg Location 3 | \$437 | \$437 | \$437 | \$437 |
| | | -WL4 | Wire Leg Location 4 | \$437 | \$437 | \$437 | \$437 |

Versailles Desking

Single Face/Straight | Popular Items

The following products are **popular and frequently ordered items**. The catalog number, description, actual footprint, and list prices are all provided. The items can be used exactly as-is, as a starting point for budgetary purposes, or simply as examples. Contact project management for any further information.

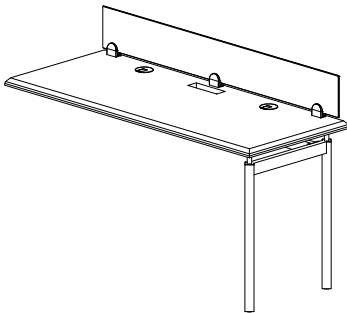


VS-DK-2436SS-29-A-RO-MM-AR

Nominal Size - 24"W x 36"L x 29"H
Actual Footprint - 22-1/4"W x 59"L x 29"H
Leg Shape - Round
Frame Style - Open
Edge Detail - PVC

List Price - \$1,706

Unit Type - Adder
Divider Style - Frosted acrylic

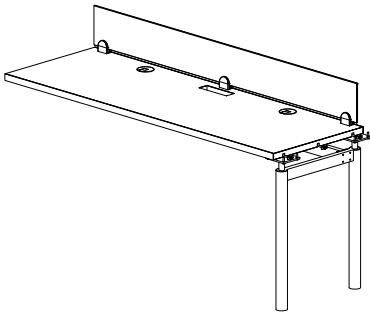


VS-DK-2460SS-29-E-DO-PC-AR-AZ

Nominal Size - 24"W x 60"L x 29"H
Actual Footprint - 23-1/4"W x 57"L x 29"H
Leg Shape - Diamond
Frame Style - Open
Edge Detail - MDF, powder coat

List Price - \$1,918

Unit Type - End
Divider Style - Frosted acrylic
Power - Axil z cutout

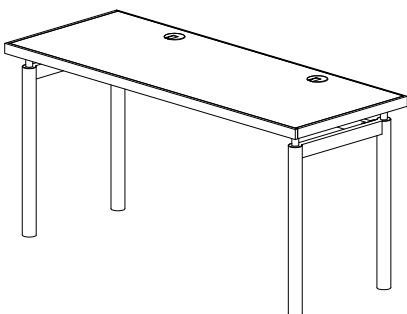


VS-DK-2472SS-29-A-RO-MM-AR-AZ

Nominal Size - 24"W x 72"L x 29"H
Actual Footprint - 22-1/4"W x 66"L x 29"H
Leg Shape - Round
Frame Style - Open
Edge Detail - PVC edge

List Price - \$1,981

Unit Type - Adder
Divider Style - Frosted acrylic
Power - Axil z cutout

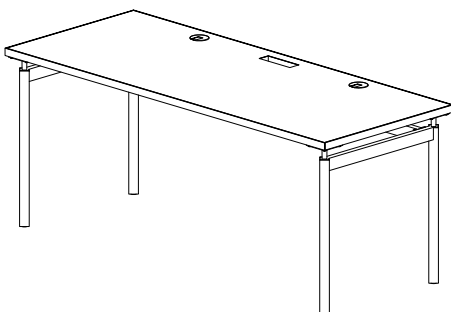


VS-DK-2460SS-29-I-RO-WA

Nominal Size - 24"W x 60"L x 29"H
Actual Footprint - 22-3/4"W x 59"L x 29"H
Leg Shape - Round
Frame Style - Open
Edge Detail - Wood "A"

List Price - \$2,247

Unit Type - Island

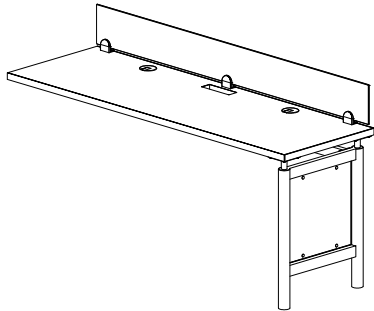


VS-DK-3072SS-29-I-DO-MM-AZ

Nominal Size - 30"W x 72"L x 29"H
Actual Footprint - 28-1/4"W x 70-1/4"L x 29"H
Leg Shape - Diamond
Frame Style - Open
Edge Detail - PVC

List Price - \$2,252

Unit Type - Island
Power - Axil z cutout

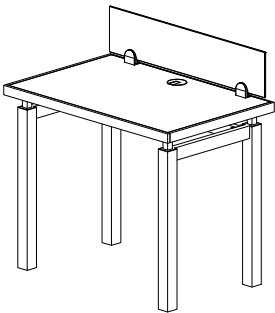


VS-DK-2472SS-29-E-RA-MM-AR-AZ

List Price - \$2,314

Nominal Size - 24"W x 72"L x 29"H
Actual Footprint - 22-1/4"W x 68-1/4"L x 29"H
Leg Shape - Round
Frame Style - Frosted acrylic panel
Edge Detail - PVC edge

Unit Type - End
Divider Style - Frosted acrylic
Power - Axil z cutout

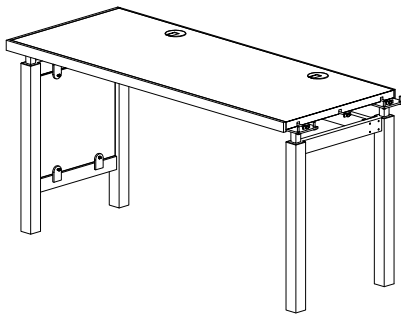


VS-DK-2436SS-29-I-SO-WA-AR

List Price - \$2,477

Nominal Size - 24"W x 36"L x 29"H
Actual Footprint - 22-3/4"W x 35"L x 29"H
Leg Shape - Square
Frame Style - Open
Edge Detail - Wood "A"

Unit Type - Island
Divider Style - Frosted acrylic

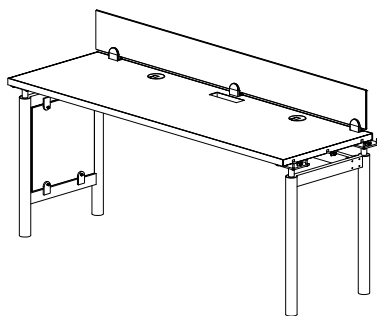


VS-DK-3060SS-29-S-SW-WA

List Price - \$2,622

Nominal Size - 30"W x 60"L x 29"H
Actual Footprint - 28-3/4"W x 56-1/2"L x 29"H
Leg Shape - Square
Frame Style - Wood panel
Edge Detail - Wood "A"

Unit Type - Starter

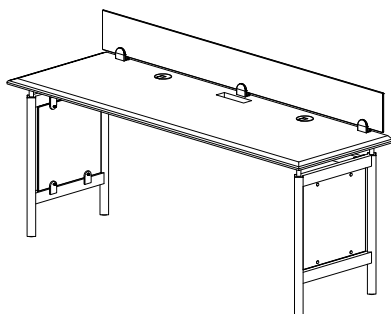


VS-DK-2472SS-29-S-RA-MM-AR-AZ

List Price - \$2,980

Nominal Size - 24"W x 72"L x 29"H
Actual Footprint - 22-1/4"W x 68-1/4"L x 29"H
Leg Shape - Round
Frame Style - Frosted acrylic panel
Edge Detail - PVC

Unit Type - Starter
Divider Style - Frosted acrylic
Power - Axil z cutout



VS-DK-2472SS-29-I-DA-PC-AR-AZ

List Price - \$3,313

Nominal Size - 24"W x 72"L x 29"H
Actual Footprint - 24"W x 72"L x 29"H
Leg Shape - Diamond
Frame Style - Frosted acrylic panel

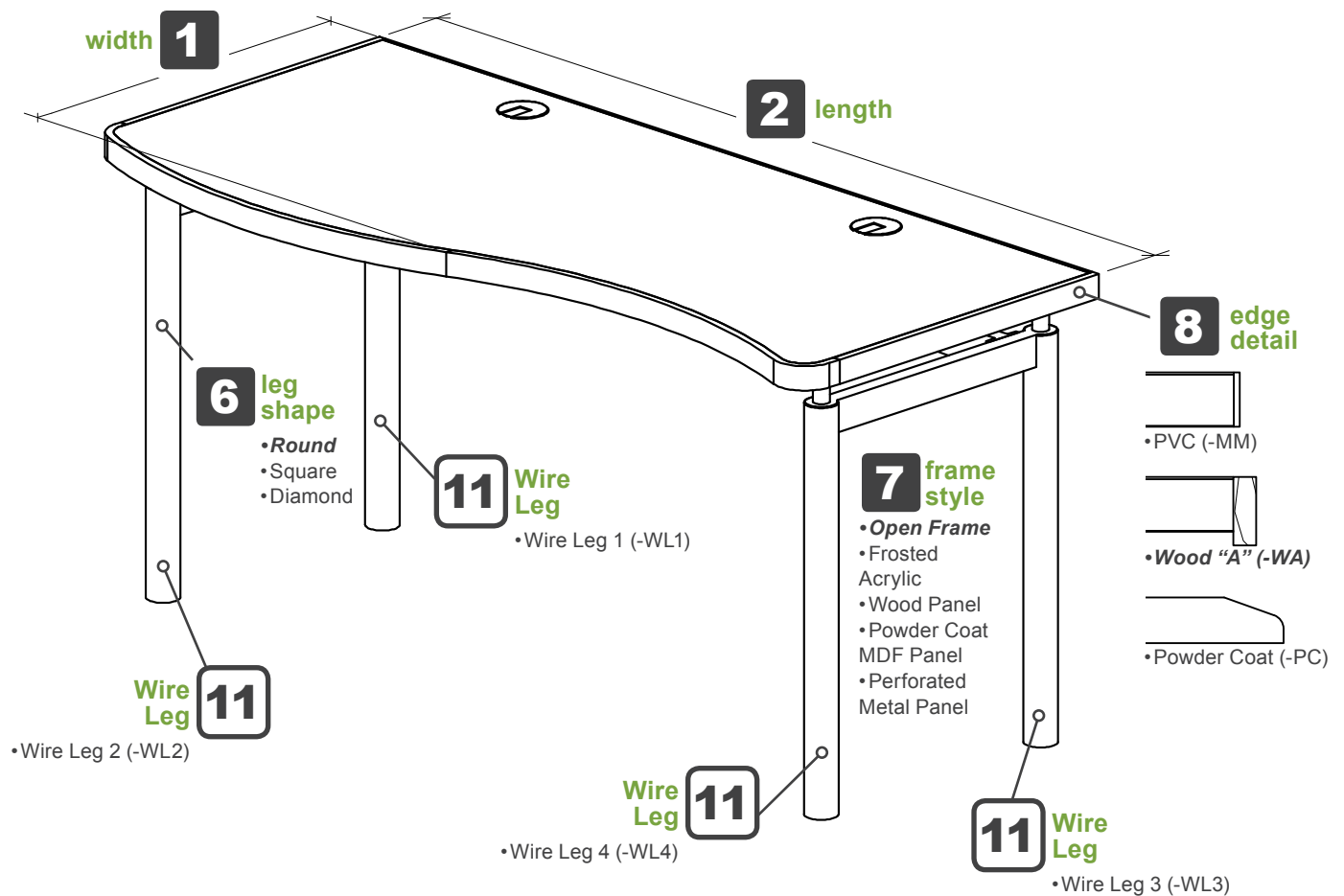
Edge Detail - MDF, powder coat
Unit Type - Island
Divider Style - Frosted acrylic
Power - Axil z cutout

Versailles Desking

Single Face/Wave | Build Guide

Use the following guide to **determine the catalog number** for your Versailles Single Face Wave Desking by **selecting your choice** from the available options. To **determine your list price**, add all prices for your selected items from the table to the right.

| | width | length | top type | height | unit type | leg shape | frame style | edge detail |
|------------------|----------|----------|----------|----------|-----------|-----------|-------------|-------------|
| VS - DK - | 1 | 2 | 3 | 4 | 5 | 6 | 7 | 8 |



Unit Shown VS-DK-2460SW-29-I-RO-WA

List Price \$2,415

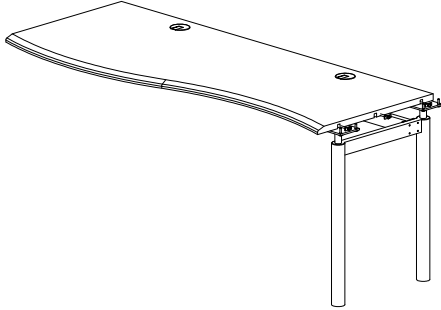
| Required Selections | | | | | |
|---------------------|--------------------|--|-----------------------------------|------------------------|-------|
| Component | Code | Description | 24" Wide | | |
| 1 | Width | 24 | 24" Wide Wave Desking | \$0 | |
| 2 | Length | 60 | 60" Long Wave Desking (2 Station) | \$1,644 | |
| | | 72 | 72" Long Wave Desking (2 Station) | \$1,681 | |
| 3 | Top Type | SW | Solid Wave Top | \$0 | |
| 4 | Height | 25 | 25" High Unit | \$0 | |
| | | 27 | 27" High Unit | \$0 | |
| | | 29 | 29" High Unit | \$0 | |
| | | 39 | 39" High Unit | \$210 | |
| 5 | Unit Type | I | Island | \$666 | |
| | | S | Starter | \$666 | |
| | | A | Adder | \$0 | |
| | | E | End | \$0 | |
| 6 | Leg Shape | R | Round Legs | \$0 | |
| | | D | Diamond Legs | \$0 | |
| | | S | Square Legs | \$0 | |
| 7 | Frame Style | O | Open Frame | \$0 | |
| | | -Adder units must be open frame | | | |
| | | Island Units | A | Frosted Acrylic Panel | \$666 |
| | | | W | Wood Panel | \$666 |
| | | | C | Powder Coat MDF Panel | \$666 |
| | | | P | Perforated Metal Panel | \$832 |
| | | Starter & End Units | A | Frosted Acrylic Panel | \$333 |
| | | | W | Wood Panel | \$333 |
| | | | C | Powder Coat MDF Panel | \$333 |
| | | | P | Perforated Metal Panel | \$416 |
| 8 | Edge Detail | WA | 1/2" Wood "A" Edge | \$105 | |
| | | MM | 3mm PVC Edge | \$0 | |
| | | PC | Powder Coat | \$0 | |

| Available Upgrades | | | | | |
|--------------------|----------------------|--|---------------------|----------|-------|
| Component | Code | Description | 60" Long | 72" Long | |
| 9 | Divider Style | -AR | Acrylic Divider | \$395 | \$437 |
| 10 | Power | -AZ | Axil Z Cutout | \$47 | \$47 |
| | | -Power unit must be ordered separately. | | | |
| 11 | Wire Leg | -WL1 | Wire Leg Location 1 | \$437 | \$437 |
| | | -WL2 | Wire Leg Location 2 | \$437 | \$437 |
| | | -WL3 | Wire Leg Location 3 | \$437 | \$437 |
| | | -WL4 | Wire Leg Location 4 | \$437 | \$437 |

Versailles Desking

Single Face/Wave | Popular Items

The following products are **popular and frequently ordered items**. The catalog number, description, actual footprint, and list prices are all provided. The items can be used exactly as-is, as a starting point for budgetary purposes, or simply as examples. Contact project management for any further information.



VS-DK-2472SW-29-A-RO-PC

Nominal Size - 24"W x 72"L x 29"H

Actual Footprint - 27"W x 66"L x 29"H

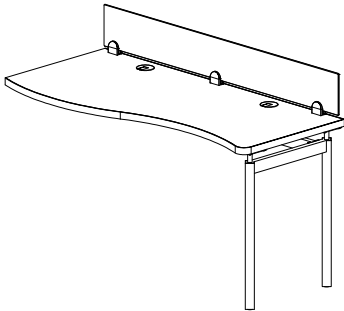
Leg Shape - Round

Frame Style - Open

Edge Detail - MDF, powder coat

List Price - \$1,681

Unit Type - Adder



VS-DK-2460SW-29-E-DO-MM-AR

Nominal Size - 24"W x 60"L x 29"H

Actual Footprint - 26"W x 56-1/8"L x 29"H

Leg Shape - Diamond

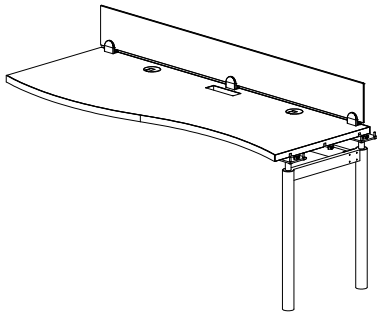
Frame Style - Open

Edge Detail - PVC

List Price - \$2,039

Unit Type - End

Divider Style - Frosted acrylic



VS-DK-2472SW-29-A-RO-MM-AR-AZ

Nominal Size - 24"W x 72"L x 29"H

Actual Footprint - 26"W x 66"L x 29"H

Leg Shape - Round

Frame Style - Open

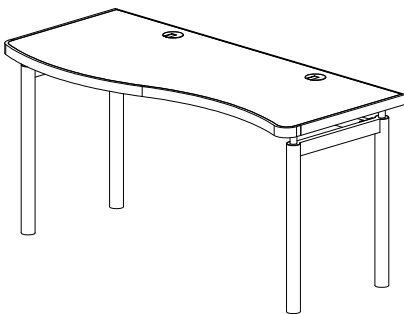
Edge Detail - PVC

List Price - \$2,165

Unit Type - Adder

Divider Style - Frosted acrylic

Power - Axil z cutout



VS-DK-2460SW-29-I-RO-WA

Nominal Size - 24"W x 60"L x 29"H

Actual Footprint - 26-1/2"W x 59"L x 29"H

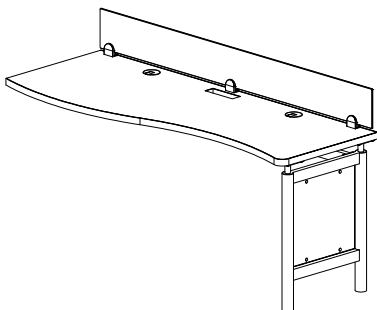
Leg Shape - Round

Frame Style - Open

Edge Detail - Wood "A"

List Price - \$2,415

Unit Type - Island



VS-DK-2472SW-29-E-RA-MM-AR-AZ

Nominal Size - 24"W x 72"L x 29"H

Actual Footprint - 26"W x 68-1/8"L x 29"H

Leg Shape - Round

Frame Style - Frosted acrylic panel

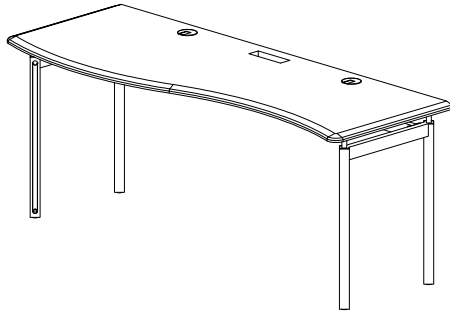
Edge Detail - PVC

List Price - \$2,498

Unit Type - End

Divider Style - Frosted acrylic

Power - Axil z cutout

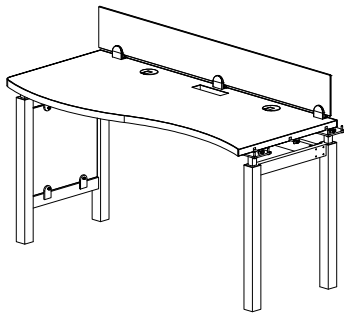


VS-DK-2472SW-29-I-DO-PC-AZ-WL2

List Price - \$2,831

Nominal Size - 24"W x 72"L x 29"H
Actual Footprint - 27"W x 72"L x 29"H
Leg Shape - Diamond
Frame Style - Open
Edge Detail - MDF, powder coat

Unit Type - Island
Power - Axil z cutout
Wire Leg - Location 2

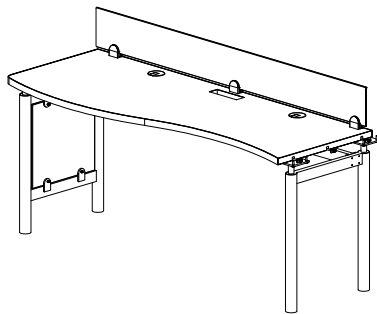


VS-DK-2460SW-29-S-SW-MM-AR-AZ

List Price - \$3,085

Nominal Size - 24"W x 60"L x 29"H
Actual Footprint - 26"W x 56-1/8"L x 29"H
Leg Shape - Square
Frame Style - Wood panel
Edge Detail - PVC

Unit Type - Starter
Divider Style - Frosted acrylic
Power - Axil z cutout

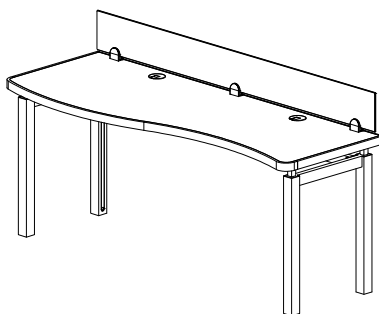


VS-DK-2472SW-29-S-RA-MM-AR-AZ

List Price - \$3,164

Nominal Size - 24"W x 72"L x 29"H
Actual Footprint - 26"W x 68-1/8"L x 29"H
Leg Shape - Round
Frame Style - Frosted acrylic panel
Edge Detail - PVC

Unit Type - Starter
Divider Style - Frosted acrylic
Power - Axil z cutout

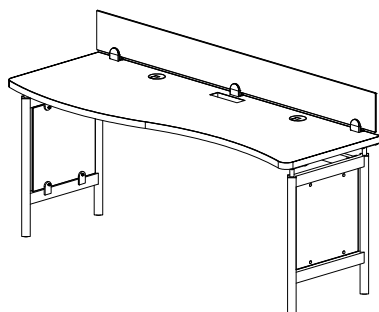


VS-DK-2460SW-29-I-SO-WA-AR-WL1

List Price - \$3,247

Nominal Size - 24"W x 60"L x 29"H
Actual Footprint - 26-1/2"W x 59"L x 29"H
Leg Shape - Square
Frame Style - Open
Edge Detail - Wood "A"

Unit Type - Island
Divider Style - Frosted acrylic
Wire Leg - Location 1



VS-DK-2472SW-29-I-DA-MM-AR-AZ

List Price - \$3,497

Nominal Size - 24"W x 60"L x 29"H
Actual Footprint - 26"W x 70-1/4"L x 29"H
Leg Shape - Diamond
Frame Style - Frosted acrylic panel

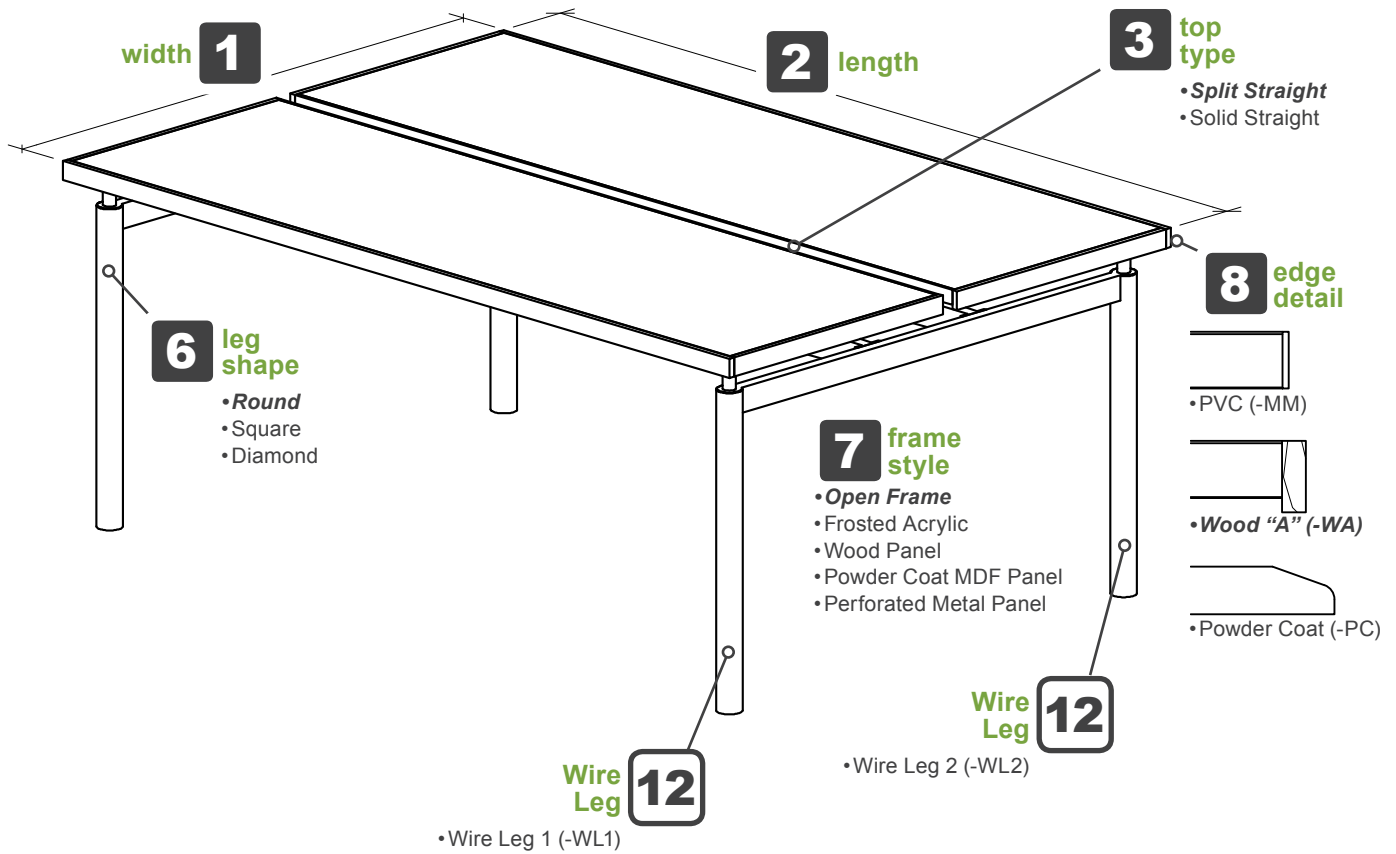
Edge Detail - PVC
Unit Type - Island
Divider Style - Frosted acrylic
Power - Axil z cutout

Versailles Desking

Double Face/Straight | Build Guide

Use the following guide to **determine the catalog number** for your Versailles Double Face Straight Desking by **selecting your choice** from the available options. To **determine your list price**, add all prices for your selected items from the table to the right.

VS - DK - **1** **2** **3** - **4** - **5** - **6** **7** - **8**



Unit Shown VS-DK-4872XS-29-I-RO-WA

List Price \$3,197

| Required Selections | | | | | | | |
|---------------------|--------------------------------|---|----------|----------|----------|----------|--|
| Component | Code | Description | 30" Long | 36" Long | 60" Long | 72" Long | |
| 1 | Width | 48 48" Wide Straight Desking | \$1,704 | \$1,788 | \$2,058 | \$2,162 | |
| 2 | Length | 30 30" Long Straight Desking (2 Station) | \$0 | - | - | - | |
| | | 36 36" Long Straight Desking (2 Station) | - | \$0 | - | - | |
| | | 60 60" Long Straight Desking (4 Station) | - | - | \$0 | - | |
| | | 72 72" Long Straight Desking (4 Station) | - | - | - | \$0 | |
| 3 | Top Type | SS Solid Straight Top | \$0 | \$0 | \$0 | \$0 | |
| | | XS Split Straight Top | \$187 | \$197 | \$250 | \$265 | |
| 4 | Height | 25 25" High Unit | \$0 | \$0 | \$0 | \$0 | |
| | | 27 27" High Unit | \$0 | \$0 | \$0 | \$0 | |
| | | 29 29" High Unit | \$0 | \$0 | \$0 | \$0 | |
| | | 39 39" High Unit | \$210 | \$210 | \$210 | \$210 | |
| Component | Code | Description | 48" Wide | | | | |
| 5 | Unit Type | I Island | \$666 | | | | |
| | | S Starter | \$666 | | | | |
| | | A Adder | \$0 | | | | |
| | | E End | \$0 | | | | |
| 6 | Leg Shape | R Round Legs | \$0 | | | | |
| | | D Diamond Legs | \$0 | | | | |
| | | S Square Legs | \$0 | | | | |
| 7 | Frame Style | O Open Frame | \$0 | | | | |
| | | -Adder units must be open frame | | | | | |
| | Island Units | A Frosted Acrylic Panel | \$832 | | | | |
| | | W Wood Panel | \$832 | | | | |
| | | C Powder Coat MDF Panel | \$832 | | | | |
| | | P Perforated Metal Panel | \$832 | | | | |
| | Starter & End Units | A Frosted Acrylic Panel | \$416 | | | | |
| | | W Wood Panel | \$416 | | | | |
| | | C Powder Coat MDF Panel | \$416 | | | | |
| | | P Perforated Metal Panel | \$416 | | | | |
| 8 | Edge Detail | WA 1/2" Wood "A" Edge | \$105 | | | | |
| | | MM 3mm PVC Edge | \$0 | | | | |
| | | PC Powder Coat | \$0 | | | | |

Continued

Versailles Desking

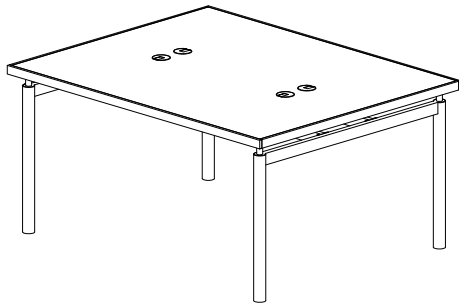
Double Face/Straight | Pricing Guide (Continued)

| Available Upgrades | | | | | | |
|----------------------------------|-------------|---|----------|----------|----------|----------|
| Component | Code | Description | 30" Long | 36" Long | 60" Long | 72" Long |
| 9 Divider Style | -AR | Acrylic Divider (Solid Top) | \$312 | \$354 | \$395 | \$437 |
| Island Units | -AR | Acrylic Divider (Split Top Island) | \$521 | \$562 | \$603 | \$645 |
| Starter Units | -AR | Acrylic Divider (Split Top Starter) | \$562 | \$603 | \$644 | \$686 |
| Adder Units | -AR | Acrylic Divider (Split Top Adder) | \$354 | \$395 | \$436 | \$478 |
| End Units | -AR | Acrylic Divider (Split Top End) | \$313 | \$354 | \$395 | \$437 |
| 10 Power | -AZ | Axil Z Cutout | - | - | \$95 | \$95 |
| | | -Power unit must be ordered separately. | | | | |
| 11 Wire Management | -WM | Wire Manager Tray | \$188 | \$208 | \$292 | \$312 |
| 12 Wire Leg | -WL1 | Wire Leg Location 1 | \$437 | \$437 | \$437 | \$437 |
| | -WL2 | Wire Leg Location 2 | \$437 | \$437 | \$437 | \$437 |

Versailles Desking

Double Face/Straight | Popular Items

The following products are **popular and frequently ordered items**. The catalog number, description, actual footprint, and list prices are all provided. The items can be used exactly as-is, as a starting point for budgetary purposes, or simply as examples. Contact project management for any further information.



VS-DK-4860SS-29-I-RO-WA

List Price - \$2,829

Nominal Size - 48"W x 60"L x 29"H

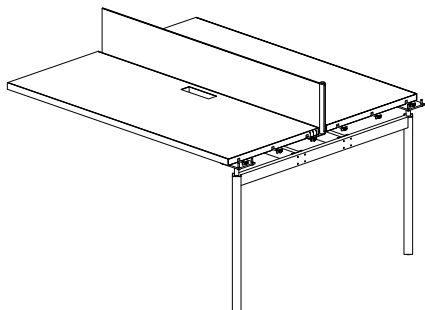
Unit Type - Island

Actual Footprint - 47"W x 59"L x 29"H

Leg Shape - Round

Frame Style - Open

Edge Detail - Wood "A"



VS-DK-4860XS-29-A-DO-MM-AR-AZ

List Price - \$2,838

Nominal Size - 48"W x 60"L x 29"H

Unit Type - Adder

Actual Footprint - 46-1/4"W x 54"L x 29"H

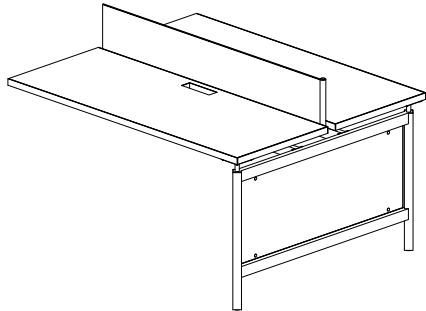
Divider Style - Frosted acrylic

Leg Shape - Diamond

Power - Axil z cutout

Frame Style - Open

Edge Detail - PVC

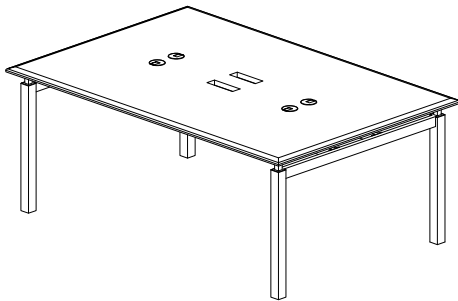


VS-DK-4860XS-29-E-DA-MM-AR-AZ

List Price - \$3,213

Nominal Size - 48"W x 60"L x 29"H
Actual Footprint - 46-1/4"W x 56-1/8"L x 29"H
Leg Shape - Diamond
Frame Style - Frosted acrylic panel
Edge Detail - PVC

Unit Type - End
Divider Style - Frosted acrylic
Power - Axil z cutout

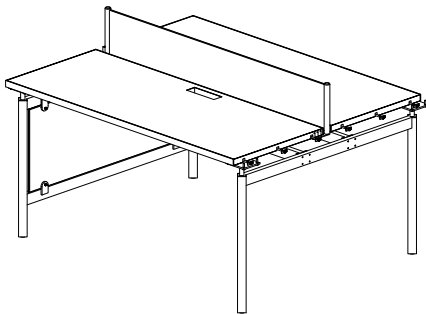


VS-DK-4872SS-29-I-SO-PC-AZ-WM

List Price - \$3,234

Nominal Size - 48"W x 72"L x 29"H
Actual Footprint - 48"W x 66"L x 29"H
Leg Shape - Square
Frame Style - Open
Edge Detail - MDF, powder coat

Unit Type - Island
Power - Axil z cutout
Wire Management - Tray

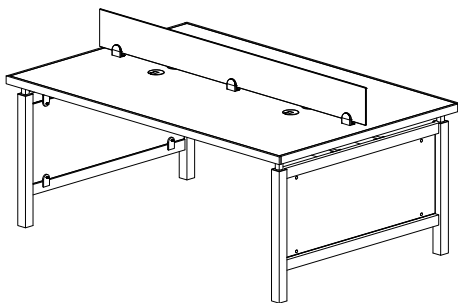


VS-DK-4860XS-29-S-DA-MM-AR-AZ

List Price - \$4,128

Nominal Size - 48"W x 60"L x 29"H
Actual Footprint - 46-1/4"W x 56-1/8"L x 29"H
Leg Shape - Diamond
Frame Style - Frosted acrylic panel
Edge Detail - MDF, powder coat

Unit Type - Starter
Divider Style - Frosted acrylic
Power - Axil z cutout

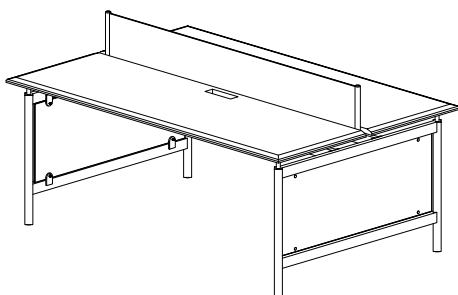


VS-DK-4872SS-29-I-SA-WA-AR

List Price - \$4,201

Nominal Size - 48"W x 72"L x 29"H
Actual Footprint - 47"W x 71"L x 29"H
Leg Shape - Square
Frame Style - Frosted acrylic panel
Edge Detail - Wood "A"

Unit Type - Island
Divider Style - Frosted acrylic



VS-DK-4872XS-29-I-DA-PC-AR-AZ

List Price - \$4,663

Nominal Size - 48"W x 72"L x 29"H
Actual Footprint - 48"W x 72"L x 29"H
Leg Shape - Diamond
Frame Style - Frosted acrylic panel

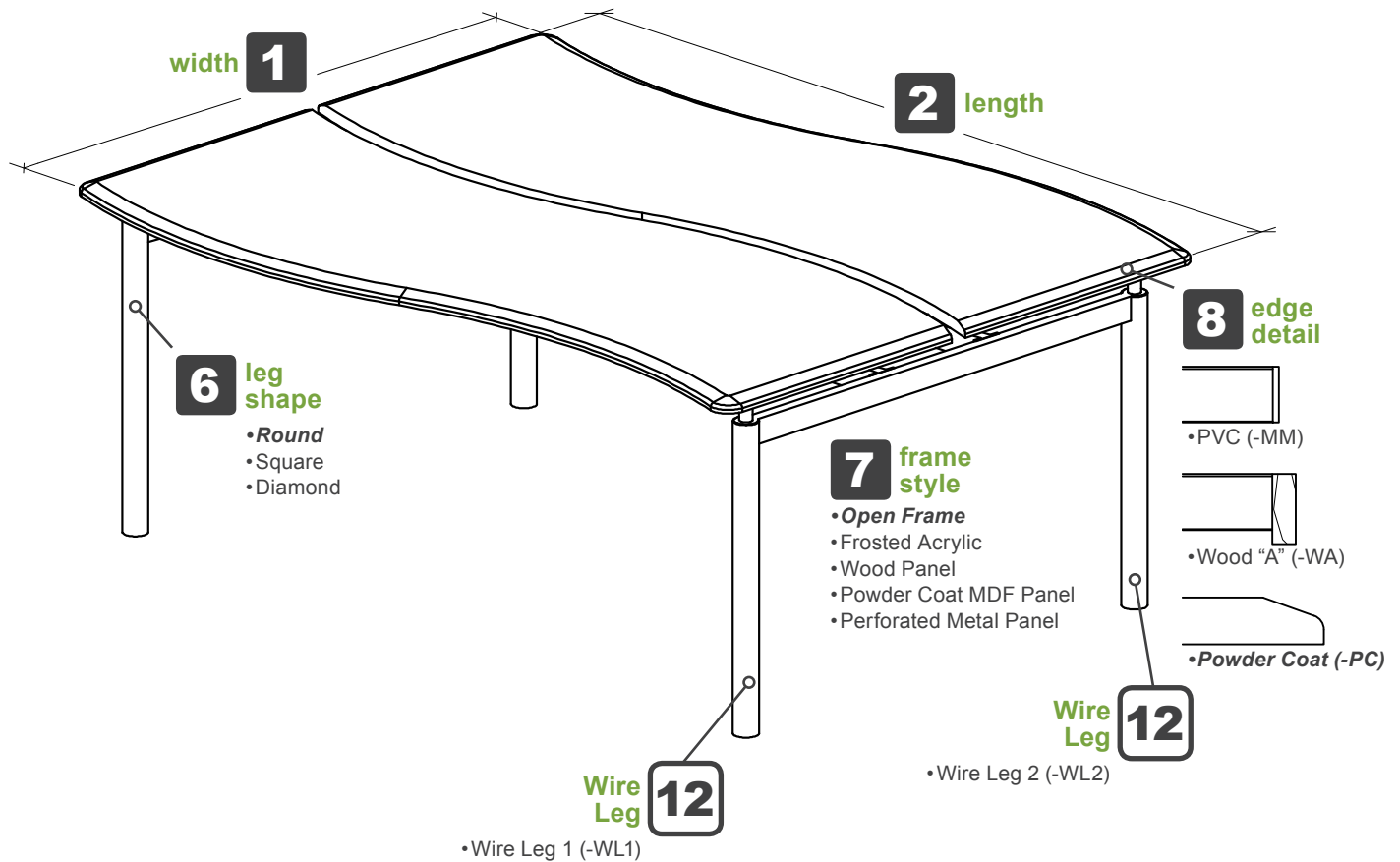
Edge Detail - MDF, powder coat
Unit Type - Island
Divider Style - Frosted acrylic
Power - Axil z cutout

Versailles Desking

Double Face/Wave | Build Guide

Use the following guide to **determine the catalog number** for your Versailles Double Face Wave Desking by **selecting your choice** from the available options. To **determine your list price**, add all prices for your selected items from the table to the right.

| | width | length | top type | height | unit type | leg shape | frame style | edge detail |
|----------------|----------|----------|----------|----------|-----------|-----------|-------------|-------------|
| VS - DK | 1 | 2 | 3 | 4 | 5 | 6 | 7 | 8 |



Unit Shown VS-DK-4872XW-29-I-RO-PC

List Price \$3,362

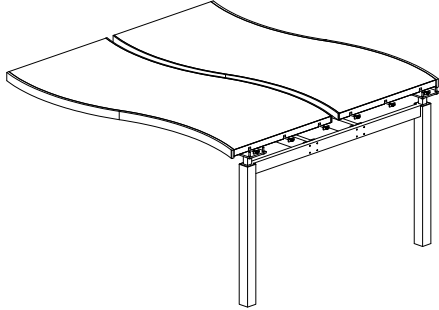
| Required Selections | | | | | |
|----------------------|--|-----------------------------------|------------------------|----------|--|
| Component | Code | Description | 60" Long | 72" Long | |
| 1 Width | 48 | 48" Wide Wave Desking | \$2,618 | \$2,696 | |
| 2 Length | 60 | 60" Long Wave Desking (4 Station) | \$0 | - | |
| | 72 | 72" Long Wave Desking (4 Station) | - | \$0 | |
| 3 Top Type | XW | Split Wave Top | \$0 | \$0 | |
| 4 Height | 25 | 25" High Unit | \$0 | \$0 | |
| | 27 | 27" High Unit | \$0 | \$0 | |
| | 29 | 29" High Unit | \$0 | \$0 | |
| | 39 | 39" High Unit | \$210 | \$210 | |
| Component | Code | Description | 48" Wide | | |
| 5 Unit Type | I | Island | \$666 | | |
| | S | Starter | \$666 | | |
| | A | Adder | \$0 | | |
| | E | End | \$0 | | |
| 6 Leg Shape | R | Round Legs | \$0 | | |
| | D | Diamond Legs | \$0 | | |
| | S | Square Legs | \$0 | | |
| 7 Frame Style | O | Open Frame | \$0 | | |
| | -Adder units must be open frame | | | | |
| | Island Units | A | Frosted Acrylic Panel | \$832 | |
| | | W | Wood Panel | \$832 | |
| | | C | Powder Coat MDF Panel | \$832 | |
| | | P | Perforated Metal Panel | \$832 | |
| | Starter & End Units | A | Frosted Acrylic Panel | \$416 | |
| | | W | Wood Panel | \$416 | |
| | | C | Powder Coat MDF Panel | \$416 | |
| | | P | Perforated Metal Panel | \$416 | |
| 8 Edge Detail | WA | 1/2" Wood "A" Edge | \$105 | | |
| | MM | 3mm PVC Edge | \$0 | | |
| | PC | Powder Coat | \$0 | | |

| Available Upgrades | | | | | |
|---------------------------|--|---------------------|-------------------------------------|----------|-------|
| Component | Code | Description | 60" Long | 72" Long | |
| 9 Divider Style | Island Units | -AR | Acrylic Divider (Split Top Island) | \$812 | \$853 |
| | Starter Units | -AR | Acrylic Divider (Split Top Starter) | \$853 | \$894 |
| | Adder Units | -AR | Acrylic Divider (Split Top Adder) | \$645 | \$686 |
| | End Units | -AR | Acrylic Divider (Split Top End) | \$604 | \$645 |
| 10 Power | -AZ | Axil Z Cutout | \$95 | \$95 | |
| | -Power unit must be ordered separately. | | | | |
| 11 Wire Management | -WM | Wire Manager Tray | \$292 | \$312 | |
| 12 Wire Leg | -WL1 | Wire Leg Location 1 | \$437 | \$437 | |
| | -WL2 | Wire Leg Location 2 | \$437 | \$437 | |

Versailles Desking

Double Face/Wave | Popular Items

The following products are **popular and frequently ordered items**. The catalog number, description, actual footprint, and list prices are all provided. The items can be used exactly as-is, as a starting point for budgetary purposes, or simply as examples. Contact project management for any further information.

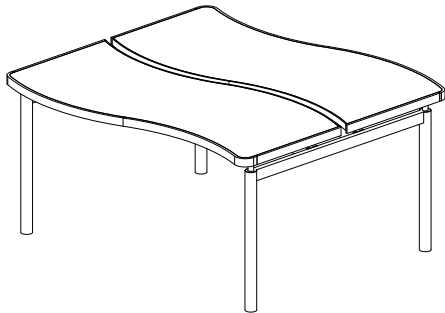


VS-DK-4860XW-29-A-SO-WA

Nominal Size - 48"W x 60"L x 29"H
Actual Footprint - 54-1/2"W x 54"L x 29"H
Leg Shape - Round
Frame Style - Open
Edge Detail - Wood "A"

List Price - \$2,723

Unit Type - Adder

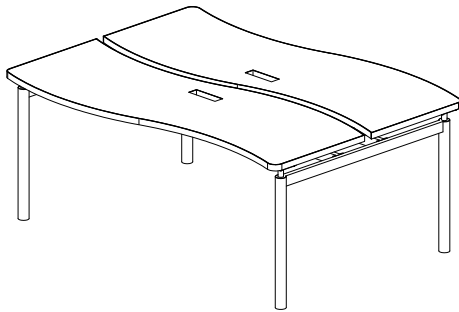


VS-DK-4860XW-29-I-RO-WA

Nominal Size - 48"W x 60"L x 29"H
Actual Footprint - 54-1/2"W x 59"L x 29"H
Leg Shape - Round
Frame Style - Open
Edge Detail - Wood "A"

List Price - \$3,388

Unit Type - Island

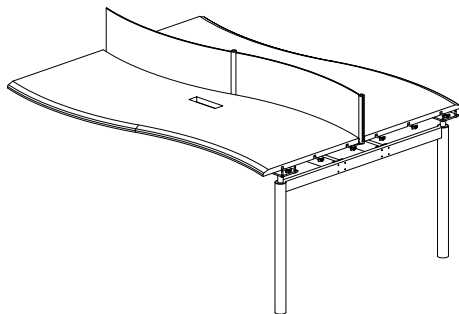


VS-DK-4872XW-29-I-RO-MM-AZ

Nominal Size - 48"W x 60"L x 29"H
Actual Footprint - 54-1/2"W x 59"L x 29"H
Leg Shape - Round
Frame Style - Open
Edge Detail - Wood "A"

List Price - \$3,457

Unit Type - Island



VS-DK-4872XW-29-A-RO-PC-AR-AZ

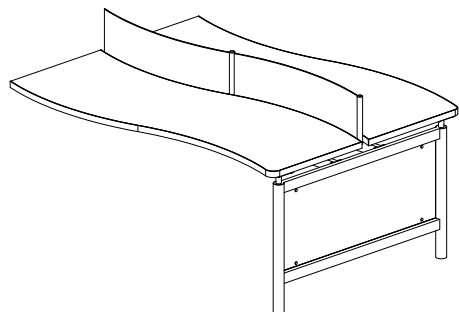
Nominal Size - 48"W x 72"L x 29"H
Actual Footprint - 56"W x 66"L x 29"H
Leg Shape - Round
Frame Style - Open
Edge Detail - MDF, powder coat

List Price - \$3,477

Unit Type - Adder

Divider Style - Frosted acrylic

Power - Axil z cutout



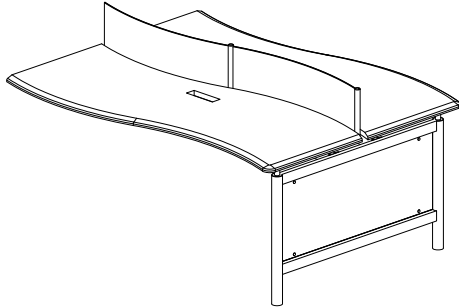
VS-DK-4872XW-29-E-RA-MM-AR

Nominal Size - 48"W x 72"L x 29"H
Actual Footprint - 53-3/4"W x 38-1/8"L x 29"H
Leg Shape - Round
Frame Style - Frosted acrylic panel
Edge Detail - PVC

List Price - \$3,757

Unit Type - End

Divider Style - Frosted acrylic

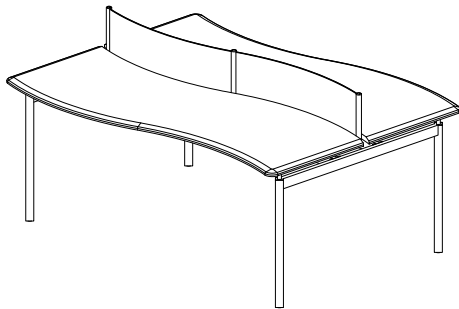


VS-DK-4872XW-29-E-RA-PC-AR-AZ

List Price - \$3,851

Nominal Size - 48"W x 72"L x 29"H
Actual Footprint - 56"W x 69"L x 29"H
Leg Shape - Round
Frame Style - Frosted acrylic panel
Edge Detail - MDF, powder coat

Unit Type - End
Divider Style - Frosted acrylic
Power - Axil z cutout

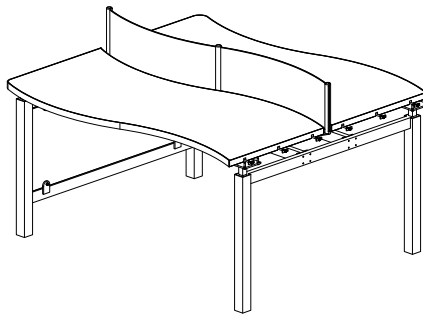


VS-DK-4872XW-29-I-DO-PC-AR

List Price - \$4,215

Nominal Size - 48"W x 72"L x 29"H
Actual Footprint - 56"W x 72"L x 29"H
Leg Shape - Diamond
Frame Style - Open
Edge Detail - MDF, powder coat

Unit Type - Island
Divider Style - Frosted acrylic

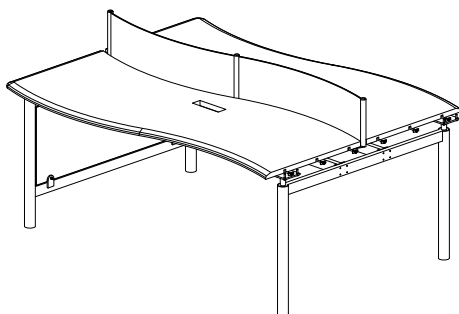


VS-DK-4860XW-29-S-SW-MM-AR

List Price - \$4,552

Nominal Size - 48"W x 60"L x 29"H
Actual Footprint - 53-3/4"W x 56-1/8"L x 29"H
Leg Shape - Square
Frame Style - Wood panel
Edge Detail - PVC

Unit Type - Starter
Divider Style - Frosted acrylic

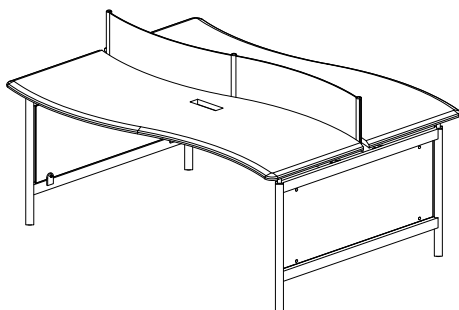


VS-DK-4872XW-29-S-RA-PC-AR-AZ

List Price - \$4,766

Nominal Size - 48"W x 72"L x 29"H
Actual Footprint - 56"W x 69"L x 29"H
Leg Shape - Round
Frame Style - Frosted acrylic panel
Edge Detail - MDF, powder coat

Unit Type - Starter
Divider Style - Frosted acrylic
Power - Axil z cutout



VS-DK-4872XW-29-I-DA-PC-AR-AZ-WM

List Price - \$5,453

Nominal Size - 48"W x 72"L x 29"H
Actual Footprint - 56"W x 72"L x 29"H
Leg Shape - Diamond
Frame Style - Frosted acrylic panel

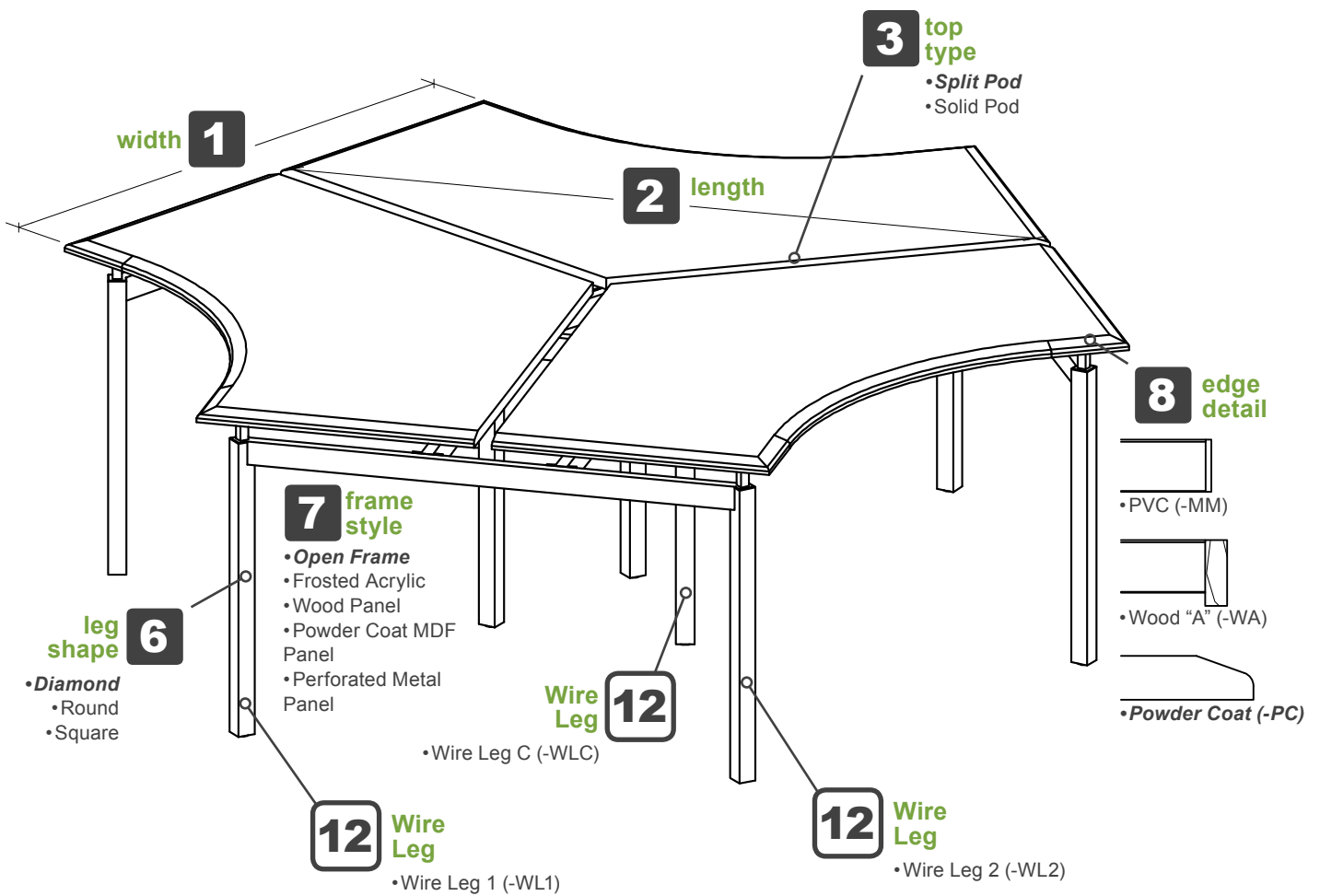
Edge Detail - MDF, powder coat
Unit Type - Island
Divider Style - Frosted acrylic
Wire Management - Tray

Versailles Desking

Pod | Build Guide

Use the following guide to **determine the catalog number** for your Versailles Pod Desking by **selecting your choice** from the available options. To **determine your list price**, add all prices for your selected items from the table to the right.

| | width | length | top type | height | unit type | leg shape | frame style | edge detail |
|------------------|----------|----------|----------|----------|-----------|-----------|-------------|-------------|
| VS - DK - | 1 | 2 | 3 | 4 | 5 | 6 | 7 | 8 |



Unit Shown VS-DK-4866XP-29-I-DO-PC

List Price \$7,980

| Required Selections | | | | | | |
|---------------------|--------------------|--|----------|----------|----------|--|
| Component | Code | Description | 66" Long | 84" Long | 92" Long | |
| 1 | Width | 48 48" Wide Pod Desking | \$6,985 | \$7,296 | \$7,670 | |
| 2 | Length | 66 66" Long Pod Desking (3 Station) | \$0 | - | - | |
| | | 84 84" Long Pod Desking (6 Station) | - | \$0 | - | |
| | | 92 92" Long Pod Desking (6 Station) | - | - | \$0 | |
| 3 | Top Type | SP Solid Pod Top | \$0 | \$0 | \$0 | |
| | | XP Split Pod Top | \$330 | \$357 | \$384 | |
| 4 | Height | 25 25" High Unit | \$0 | \$0 | \$0 | |
| | | 27 27" High Unit | \$0 | \$0 | \$0 | |
| | | 29 29" High Unit | \$0 | \$0 | \$0 | |
| | | 39 39" High Unit | \$483 | \$483 | \$483 | |
| Component | Code | Description | 48" Wide | | | |
| 5 | Unit Type | I Island | \$666 | | | |
| | | S1 Starter 1 | \$666 | | | |
| | | S2 Starter 2 | \$666 | | | |
| | | S3 Starter 3 | \$666 | | | |
| | | A1 Adder 1 | \$0 | | | |
| | | A2 Adder 2 | \$0 | | | |
| | | E End | \$0 | | | |
| 6 | Leg Shape | R Round Legs | \$0 | | | |
| | | D Diamond Legs | \$0 | | | |
| | | S Square Legs | \$0 | | | |
| 7 | Frame Style | O Open Frame | \$0 | | | |
| | | -Starter 3 Units & Adder 2 Units must be open Frame | | | | |
| | | A Frosted Acrylic Panel | \$1,247 | | | |
| | | W Wood Panel | \$1,247 | | | |
| | | C Powder Coat MDF Panel | \$1,247 | | | |
| | | P Perforated Metal Panel | \$1,247 | | | |
| | | A Frosted Acrylic Panel | \$832 | | | |
| | | W Wood Panel | \$832 | | | |
| | | C Powder Coat MDF Panel | \$832 | | | |
| | | P Perforated Metal Panel | \$832 | | | |
| | | A Frosted Acrylic Panel | \$416 | | | |
| | | W Wood Panel | \$416 | | | |
| | | C Powder Coat MDF Panel | \$416 | | | |
| | | P Perforated Metal Panel | \$416 | | | |
| 8 | Edge Detail | WA 1/2" Wood "A" Edge | \$315 | | | |
| | | MM 3mm PVC Edge | \$0 | | | |
| | | PC Powder Coat | \$0 | | | |

Continued

Versailles Desking

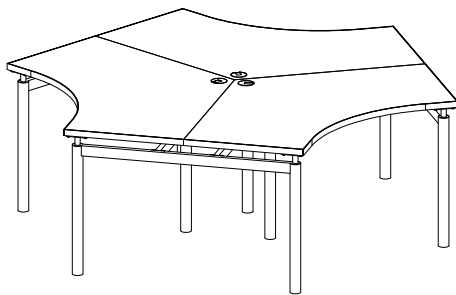
Pod | Pricing Guide (Continued)

| Available Upgrades | | | | | |
|--|-------------|---------------------------------------|----------|----------|----------|
| Component | Code | Description | 66" Long | 84" Long | 92" Long |
| 9 Divider Style | -AR | Acrylic Divider (Solid Top) | \$1,061 | \$1,185 | \$1,310 |
| Island Units | -AR | Acrylic Divider (Split Top Island) | \$1,684 | \$1,809 | \$1,934 |
| Starter 1 Units | -AR | Acrylic Divider (Split Top Starter 1) | \$1,725 | \$1,850 | \$1,975 |
| Starter 2 Units | -AR | Acrylic Divider (Split Top Starter 2) | \$1,766 | \$1,891 | \$2,016 |
| Starter 3 Units | -AR | Acrylic Divider (Split Top Starter 3) | \$1,807 | \$1,932 | \$2,057 |
| Adder 1 Units | -AR | Acrylic Divider (Split Top Adder 1) | \$1,517 | \$1,642 | \$1,767 |
| Adder 2 Units | -AR | Acrylic Divider (Split Top Adder 2) | \$1,558 | \$1,683 | \$1,808 |
| End Units | -AR | Acrylic Divider (Split Top End) | \$1,476 | \$1,601 | \$1,726 |
| 10 Power | -AZ | Axil Z Cutout | \$142 | \$142 | \$142 |
| -Power units must be ordered separately. | | | | | |
| 11 Wire Management | -WM | Wire Manager Tray | \$624 | \$876 | \$936 |
| 12 Wire Leg | -WL1 | Wire Leg Location 1 | \$437 | \$437 | \$437 |
| | -WL2 | Wire Leg Location 2 | \$437 | \$437 | \$437 |
| | -WLC | Wire Leg Location C | \$437 | \$437 | \$437 |

Versailles Desking

Pod | Popular Items

The following products are **popular and frequently ordered items**. The catalog number, description, actual footprint, and list prices are all provided. The items can be used exactly as-is, as a starting point for budgetary purposes, or simply as examples. Contact project management for any further information.



VS-DK-4866SP-29-I-RO-MM

List Price - \$7,650

Nominal Size - 48"W x 66"L x 29"H

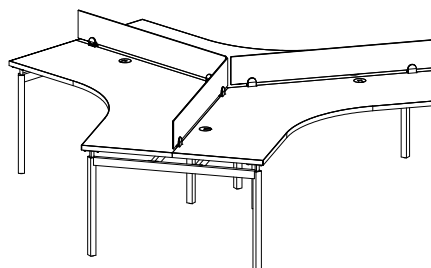
Unit Type - Island

Actual Footprint - 75-1/4"W x 86-7/8"L x 29"H

Leg Shape - Round

Frame Style - Open

Edge Detail - PVC



VS-DK-4892SP-29-I-DO-MM-AR

List Price - \$9,646

Nominal Size - 48"W x 92"L x 29"H

Unit Type - Island

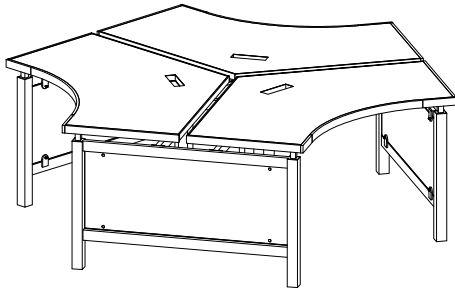
Actual Footprint - 99-1/4"W x 114-5/8"L x 29"H

Divider Style - Frosted acrylic

Leg Shape - Diamond

Frame Style - Open

Edge Detail - PVC

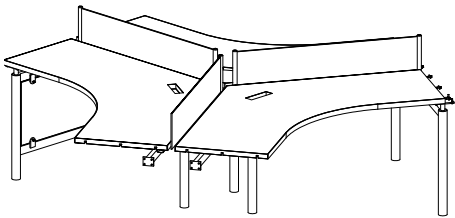


VS-DK-4866XP-29-I-SW-WA-AZ

List Price - \$9,684

Nominal Size - 48"W x 66"L x 29"H
Actual Footprint - 76-1/8"W x 87-15/16"L x 29"H
Leg Shape - Square
Frame Style - Wood Panel
Edge Detail - Wood "A"

Unit Type - Island
Power - Axil z cutout

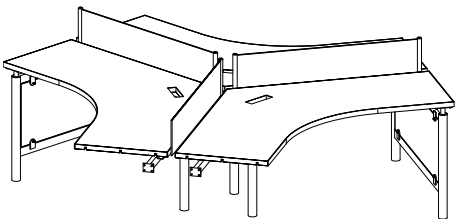


VS-DK-4884XP-29-A1-RA-MM-AR-AZ

List Price - \$9,853

Nominal Size - 48"W x 84"L x 29"H
Actual Footprint - 92-3/16"W x 104"L x 29"H
Leg Shape - Round
Frame Style - Frosted acrylic panel
Edge Detail - PVC

Unit Type - Adder - 1
Divider Style - Frosted acrylic
Power - Axil z cutout

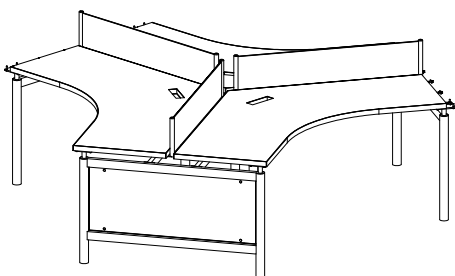


VS-DK-4884XP-29-E-RA-MM-AR-AZ

List Price - \$10,228

Nominal Size - 48"W x 84"L x 29"H
Actual Footprint - 93-1/4"W x 105-13/16"L x 29"H
Leg Shape - Round
Frame Style - Frosted acrylic panel
Edge Detail - PVC

Unit Type - End
Divider Style - Frosted acrylic
Power - Axil z cutout

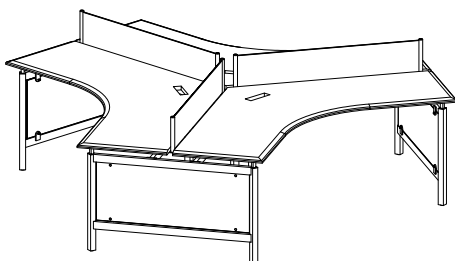


VS-DK-4884XP-29-S2-RA-MM-AR-AZ

List Price - \$10,768

Nominal Size - 48"W x 84"L x 29"H
Actual Footprint - 91-1/8"W x 105-13/16"L x 29"H
Leg Shape - Round
Frame Style - Frosted acrylic panel
Edge Detail - PVC

Top Type - Split Pod
Unit Type - Starter - 2
Divider Style - Frosted acrylic
Power - Axil z cutout



VS-DK-4892XP-29-I-DA-PC-AR-AZ

List Price - \$12,044

Nominal Size - 48"W x 92"L x 29"H
Actual Footprint - 101-5/16"W x 117"L x 29"H
Leg Shape - Diamond
Frame Style - Frosted acrylic panel

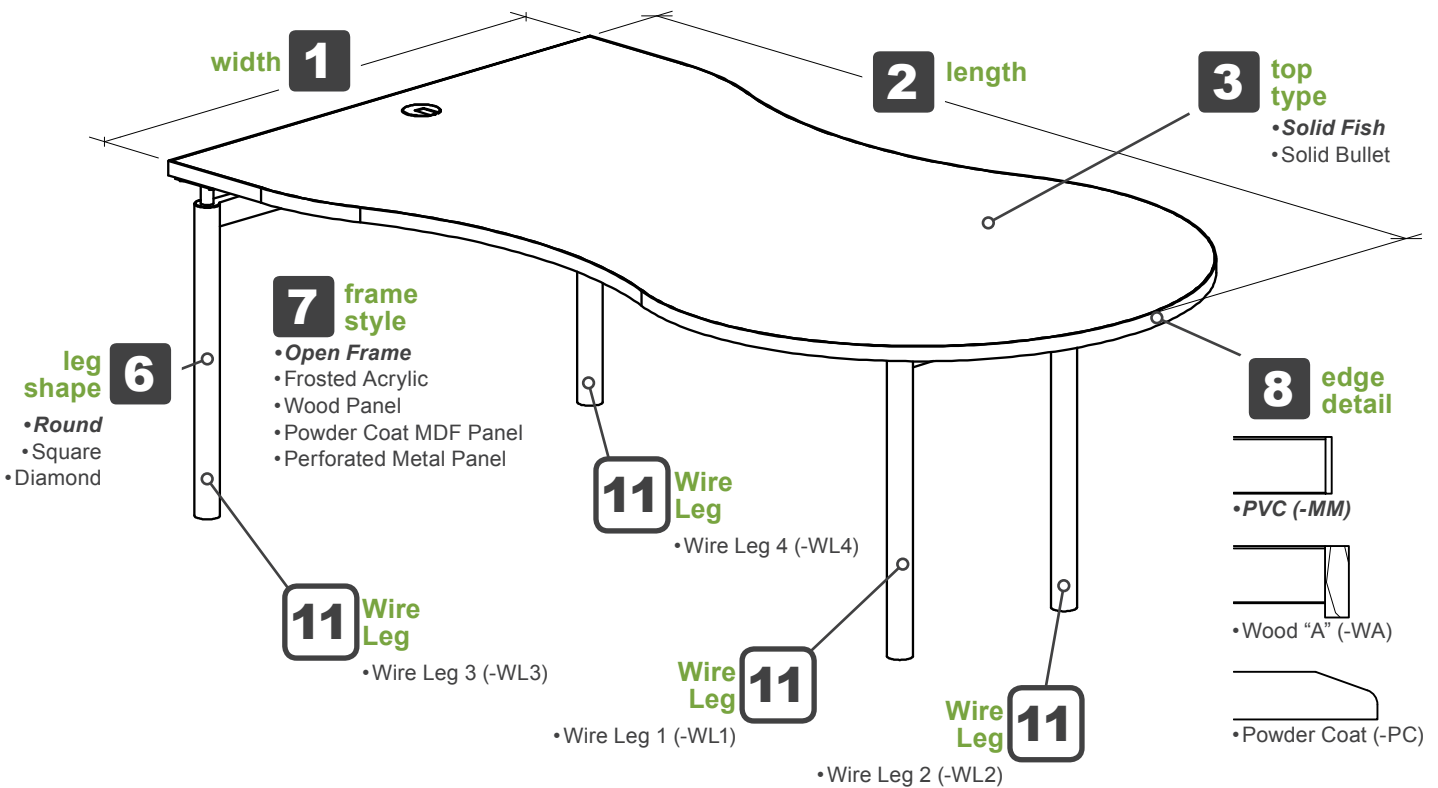
Edge Detail - MDF, powder coat
Unit Type - Island
Divider Style - Frosted acrylic
Power - Axil z cutout

Versailles Desking

Share | Build Guide

Use the following guide to **determine the catalog number** for your Versailles Share Desking by **selecting your choice** from the available options. To **determine your list price**, add all prices for your selected items from the table to the right.

VS - DK - **1** **2** **3** - **4** - **5** - **6** **7** - **8**



Unit Shown VS-DK-4884SF-29-I-RO-MM

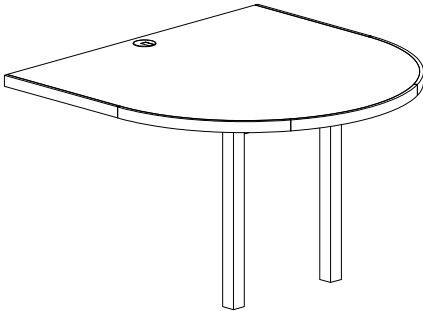
List Price \$3,409

| Required Selections | | | | | | | |
|---|---|---------------------------|----------|----------|----------|----------|--|
| Component | Code | Description | 48" Long | 60" Long | 72" Long | 84" Long | |
| 1 Width | 48 | 48" Wide Share Desking | \$2,349 | \$2,392 | \$2,475 | \$2,537 | |
| 2 Length | 48 | 48" Long Share Desking | \$0 | - | - | - | |
| | 60 | 60" Long Share Desking | - | \$0 | - | - | |
| | 72 | 72" Long Share Desking | - | - | \$0 | - | |
| | 84 | 84" Long Share Desking | - | - | - | \$0 | |
| 3 Top Type | SB | Solid Bullet Top | \$0 | \$0 | \$0 | \$0 | |
| | SF | Solid Fish Top | - | - | - | \$207 | |
| 4 Height | 25 | 25" High Unit | \$0 | \$0 | \$0 | \$0 | |
| | 27 | 27" High Unit | \$0 | \$0 | \$0 | \$0 | |
| | 29 | 29" High Unit | \$0 | \$0 | \$0 | \$0 | |
| | 39 | 39" High Unit | \$210 | \$210 | \$210 | \$210 | |
| Component | Code | Description | 48" Wide | | | | |
| 5 Unit Type | I | Island | \$666 | | | | |
| | S | Starter | \$666 | | | | |
| | E | End | \$0 | | | | |
| 6 Leg Shape | R | Round Legs | \$0 | | | | |
| | D | Diamond Legs | \$0 | | | | |
| | S | Square Legs | \$0 | | | | |
| 7 Frame Style | O | Open Frame | \$0 | | | | |
| | -Starter units & End units must be open frame | | | | | | |
| | A | Frosted Acrylic Panel | \$416 | | | | |
| | W | Wood Panel | \$416 | | | | |
| | C | Powder Coat MDF Panel | \$416 | | | | |
| | P | Perforated Metal Panel | \$416 | | | | |
| 8 Edge Detail | WA | 1/2" Wood "A" Edge | \$105 | | | | |
| | -Not available on Fish units | | | | | | |
| | MM | 3mm PVC Edge | \$0 | | | | |
| | PC | Powder Coat | \$0 | | | | |
| Available Upgrades | | | | | | | |
| Component | Code | Description | 48" Long | 60" Long | 72" Long | 84" Long | |
| 9 Power | -AZ | Axil Z Cutout | \$47 | \$47 | \$47 | \$47 | |
| | -DS4 | 4-Window Dropshare Cutout | \$47 | \$47 | \$47 | \$47 | |
| | -DS6 | 6-Window Dropshare Cutout | - | \$47 | \$47 | \$47 | |
| -Power unit must be ordered separately. | | | | | | | |
| 10 Wire Management | -WM | Wire Manager Tray | \$208 | \$271 | \$292 | \$312 | |
| 11 Wire Leg | -WL1 | Wire Leg Location 1 | \$437 | \$437 | \$437 | \$437 | |
| | -WL2 | Wire Leg Location 2 | \$437 | \$437 | \$437 | \$437 | |
| | -WL3 | Wire Leg Location 3 | \$437 | \$437 | \$437 | \$437 | |
| | -Not available on End units | | | | | | |
| | -WL4 | Wire Leg Location 4 | \$437 | \$437 | \$437 | \$437 | |
| -Not available on End units | | | | | | | |

Versailles Desking

Share | Popular Items

The following products are **popular and frequently ordered items**. The catalog number, description, actual footprint, and list prices are all provided. The items can be used exactly as-is, as a starting point for budgetary purposes, or simply as examples. Contact project management for any further information.



VS-DK-4848SB-29-E-SO-WA

Nominal Size - 48"W x 48"L x 29"H

Actual Footprint - 47"W x 45"L x 29"H

Leg Shape - Square

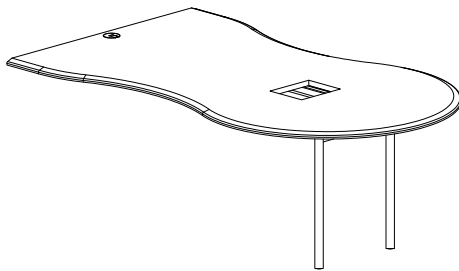
Frame Style - Open

Edge Detail - Wood "A"

List Price - \$2,454

Top Shape - Bullet

Unit Type - End



VS-DK-4884SF-29-E-DO-PC-DS4

Nominal Size - 48"W x 84"L x 29"H

Actual Footprint - 48"W x 81"L x 29"H

Leg Shape - Diamond

Frame Style - Open

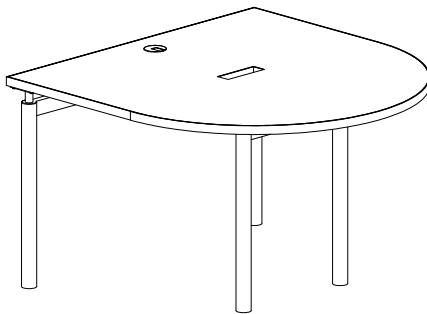
Edge Detail - MDF, powder coat

List Price - \$2,791

Top Shape - Fish

Unit Type - End

Power - 4-window
dropshare cutout



VS-DK-4848SB-29-I-RO-MM-AZ

Nominal Size - 48"W x 48"L x 29"H

Actual Footprint - 46-1/4"W x 46-1/4"L x 29"H

Leg Shape - Round

Frame Style - Open

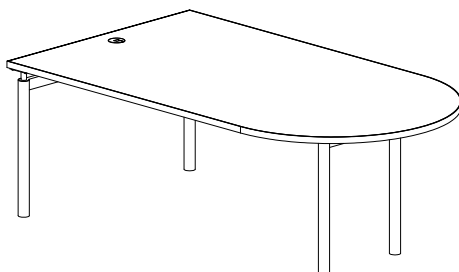
Edge Detail - PVC

List Price - \$3,062

Top Shape - Bullet

Unit Type - Island

Power - Axil z cutout



VS-DK-4884SB-29-I-RO-MM

Nominal Size - 48"W x 84"L x 29"H

Actual Footprint - 46-1/4"W x 82-1/4"L x 29"H

Leg Shape - Round

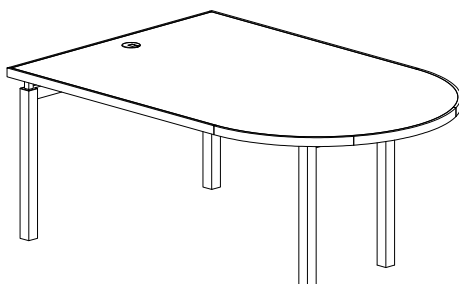
Frame Style - Open

Edge Detail - PVC

List Price - \$3,203

Top Shape - Bullet

Unit Type - Island



VS-DK-4872SB-29-I-SO-WA

Nominal Size - 48"W x 72"L x 29"H

Actual Footprint - 47"W x 71"L x 29"H

Leg Shape - Square

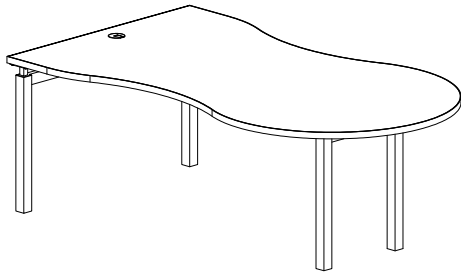
Frame Style - Open

Edge Detail - Wood "A"

List Price - \$3,246

Top Shape - Bullet

Unit Type - Island

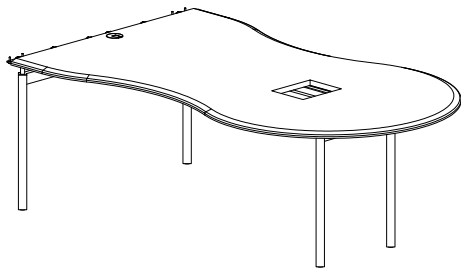


VS-DK-4884SF-29-I-SO-MM

List Price - \$3,409

Nominal Size - 48"W x 84"L x 29"H
Actual Footprint - 46-1/4"W x 82-1/4"L x 29"H
Leg Shape - Square
Frame Style - Open
Edge Detail - PVC

Top Shape - Fish
Unit Type - Island

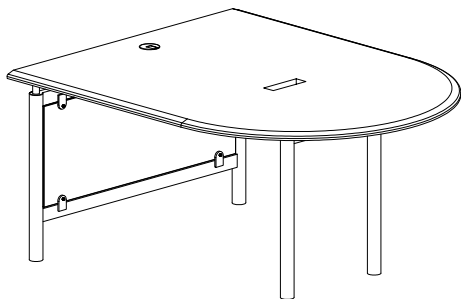


VS-DK-4884SF-29-S-DO-PC-DS4

List Price - \$3,457

Nominal Size - 48"W x 84"L x 29"H
Actual Footprint - 48"W x 81"L x 29"H
Leg Shape - Diamond
Frame Style - Open
Edge Detail - MDF, powder coat

Top Shape - Fish
Unit Type - Starter
Power - 4-window dropshare cutout

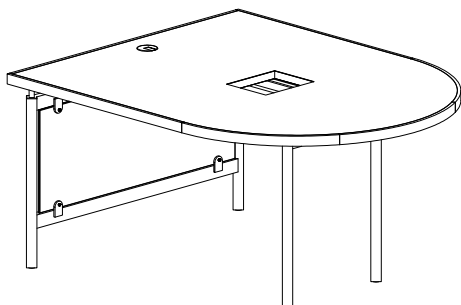


VS-DK-4860SB-29-I-RA-PC-AZ

List Price - \$3,521

Nominal Size - 48"W x 60"L x 29"H
Actual Footprint - 75-1/4"W x 86-7/8"L x 29"H
Leg Shape - Round
Frame Style - Frosted acrylic panel
Edge Detail - MDF, powder coat

Top Shape - Bullet
Unit Type - Island
Power - Axil z cutout

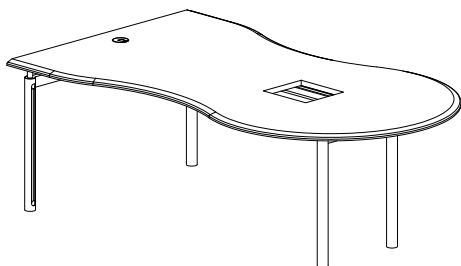


VS-DK-4860SB-29-I-DA-WA-DS4-WM

List Price - \$3,897

Nominal Size - 48"W x 60"L x 29"H
Actual Footprint - 47"W x 59"L x 29"H
Leg Shape - Diamond
Frame Style - Frosted acrylic panel
Edge Detail - Wood "A"

Top Shape - Bullet
Unit Type - Island
Power - 4-window dropshare cutout
Wire Management - Tray



VS-DK-4884SF-29-I-RO-PC-DS6-WM-WL3

List Price - \$4,205

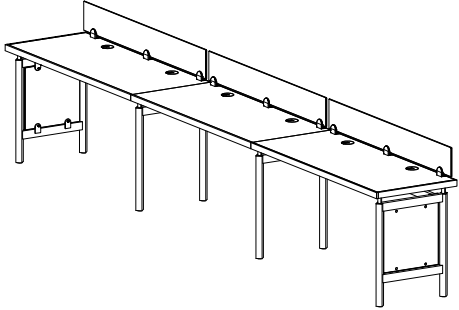
Nominal Size - 48"W x 84"L x 29"H
Actual Footprint - 48"W x 84"L x 29"H
Leg Shape - Round
Frame Style - Open
Edge Detail - MDF, powder coat

Top Shape - Fish
Unit Type - Island
Power - 6-window dropshare cutout
Wire Management - Tray
Wire Leg - Location 3

Versailles Desking

Popular Combinations

The following product combinations are **popular and frequently ordered runs of desking**. The catalog numbers, seated positions, and list prices are all provided. The combinations can be used exactly as-is, as a starting point for budgetary purposes, or simply as examples. Contact project management for any further information.

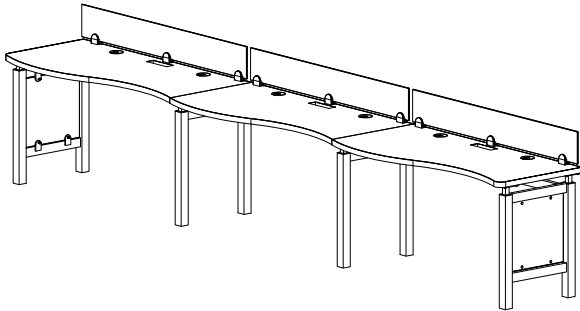


VS-DK-PC06-01

List Price - \$7,260

Per Seat - \$1,210

- (1) VS-DK-2460SS-29-S-DA-WA-AR
 - (1) VS-DK-2460SS-29-A-DO-WA-AR
 - (1) VS-DK-2460SS-29-E-DA-WA-AR
- 6-Person combination

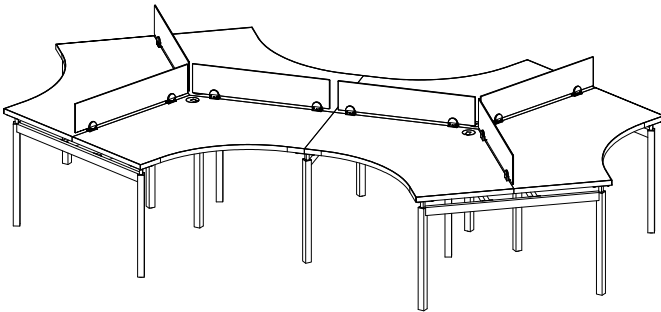


VS-DK-PC06-02

List Price - \$7,591

Per Seat - \$1,265

- (1) VS-DK-2460SW-29-S-SW-MM-AR-AZ
 - (1) VS-DK-2460SW-29-A-SO-MM-AR-AZ
 - (1) VS-DK-2460SW-29-E-SW-MM-AR-AZ
- 6-Person combination

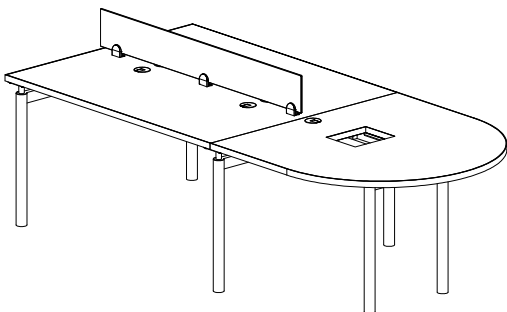


VS-DK-PC06-03

List Price - \$16,756

Per Seat - \$2,792

- (1) VS-DK-4866SP-29-S1-DO-MM-AR
 - (1) VS-DK-4866SP-29-E-DO-MM-AR
- 6-Person combination

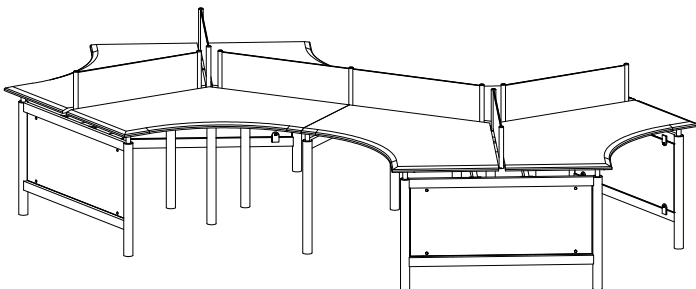


VS-DK-PC06-04

List Price - \$5,515

Per Seat - \$919

- (1) VS-DK-4860SS-29-S-RO-MM-AR
 - (1) VS-DK-4848SB-29-E-RO-MM-DS4
- 6-Person combination

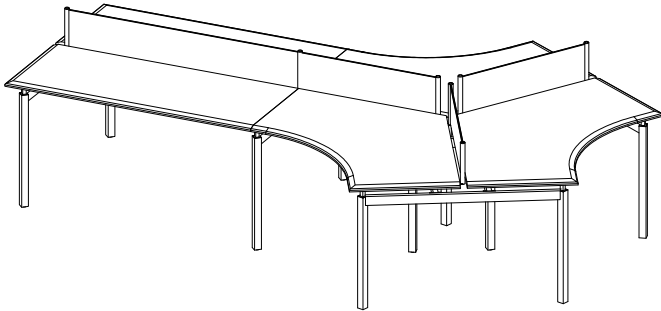


VS-DK-PC06-01

List Price - \$20,156

Per Seat - \$3,359

- (1) VS-DK-4866XP-29-S1-RA-PC-AR
 - (1) VS-DK-4866XP-29-E-RA-PC-AR
- 6-Person combination

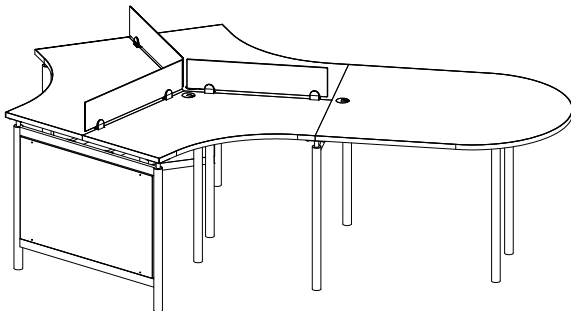


VS-DK-PC07-01

List Price - \$12,408

Per Seat - \$1,772

- (1) VS-DK-4860XS-29-S-DO-PC-AR
- (1) VS-DK-4866XP-29-E-DO-PC-AR
- 7-Person combination

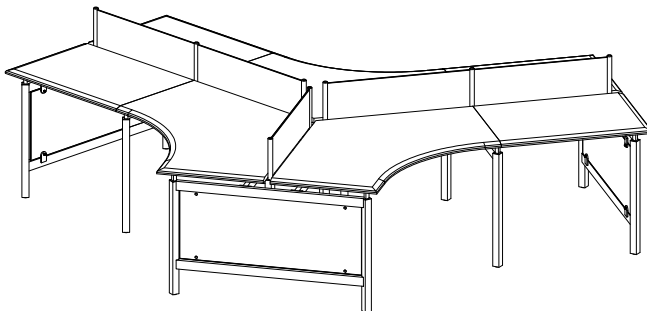


VS-DK-PC07-02

List Price - \$13,292

Per Seat - \$1,899

- (1) VS-DK-4866SP-39-S1-RA-MM-AR
- (1) VS-DK-4860SB-39-E-RO-MM
- 7-Person combination

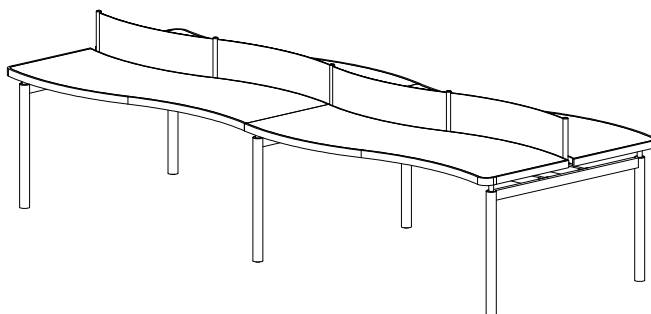


VS-DK-PC07-03

List Price - \$15,672

Per Seat - \$2,239

- (1) VS-DK-4866XP-29-S2-DC-PC-AR
- (2) VS-DK-4836XS-29-E-DC-PC-AR
- 7-Person combination

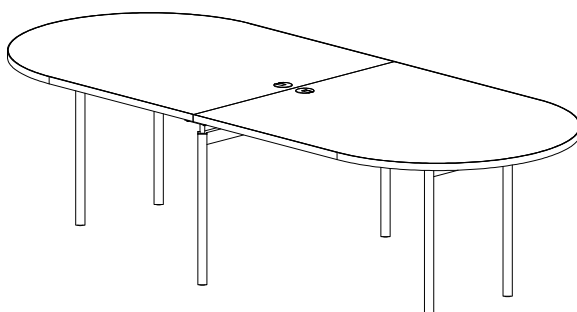


VS-DK-PC08-01

List Price - \$7,807

Per Seat - \$976

- (1) VS-DK-4872XW-29-S-RO-WA-AR
- (1) VS-DK-4872XW-29-E-RO-WA-AR
- 8-Person combination



VS-DK-PC08-02

List Price - \$5,450

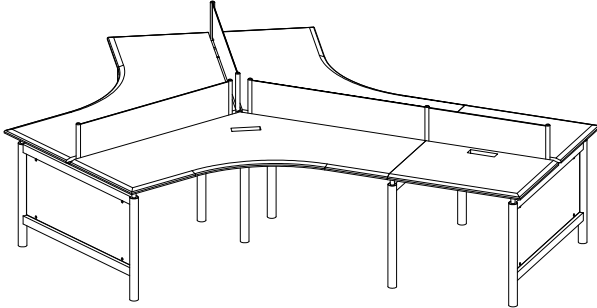
Per Seat - \$681

- (1) VS-DK-4860SB-29-S-DO-MM
- (1) VS-DK-4860SB-29-E-DO-MM
- 8-Person combination

Versailles Desking

Popular Combinations

The following product combinations are **popular and frequently ordered runs of desking**. The catalog numbers, seated positions, and list prices are all provided. The combinations can be used exactly as-is, as a starting point for budgetary purposes, or simply as examples. Contact project management for any further information.



VS-DK-PC08-03

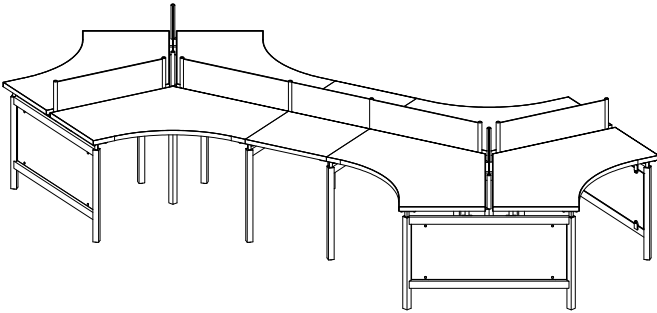
List Price - \$13,992

Per Seat - \$1,749

(1) VS-DK-48784XP-29-S1-RA-PC-AR-AZ

(1) VS-DK-4836XS-29-E-RA-PC-AR-AZ

• 8-Person combination



VS-DK-PC08-04

List Price - \$22,404

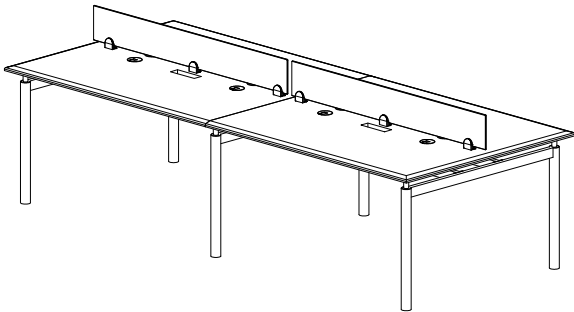
Per Seat - \$2,800

(1) VS-DK-4866XP-29-S1-DW-MM-AR

(1) VS-DK-4830XS-29-A-DO-MM-AR

(1) VS-DK-4866XP-29-E-DW-MM-AR

• 8-Person combination



VS-DK-PC08-05

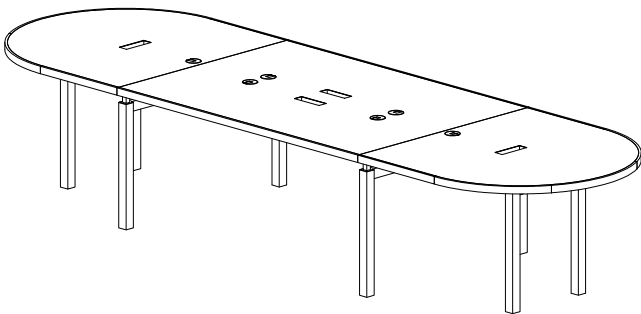
List Price - \$5,760

Per Seat - \$720

(1) VS-DK-4860SS-29-S-RO-PC-AR-AZ

(1) VS-DK-4860SS-29-E-RO-PC-AR-AZ

• 8-Person combination



VS-DK-PC08-06

List Price - \$8,030

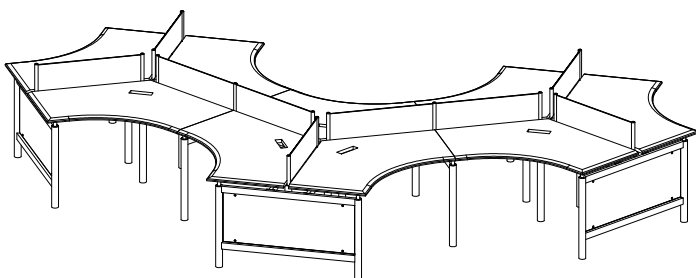
Per Seat - \$1,004

(1) VS-DK-4848SB-29-S-SO-WA-AZ-WM

(1) VS-DK-4872SS-29-A-SO-WA-AZ-WM

(1) VS-DK-4848SB-29-E-SO-WA-AZ-WM

• 8-Person combination



VS-DK-PC09-01

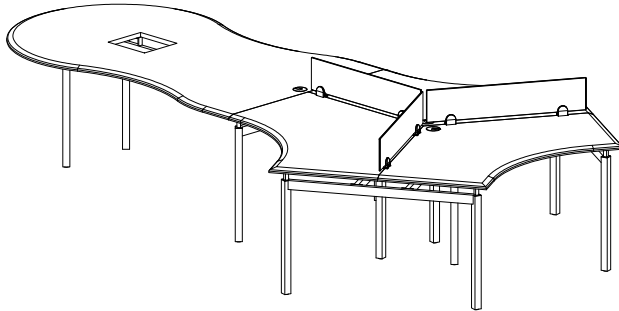
List Price - \$29,832

Per Seat - \$3,314

(1) VS-DK-4866XP-29-S2-RA-PC-AR-MH

(2) VS-DK-4866XP-29-E-RA-PC-AR-MH

• 9-Person combination

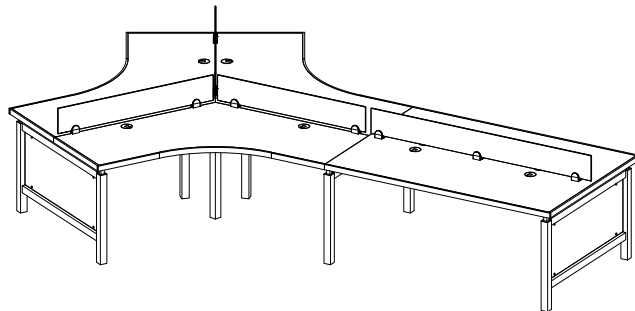


VS-DK-PC09-02

List Price - \$11,814

Per Seat - \$1,313

- (1) VS-DK-4884SF-29-S-DO-PC-DS6-WM
- (1) VS-DK-4866SP-29-E-DO-PC-AR
- 9-Person combination

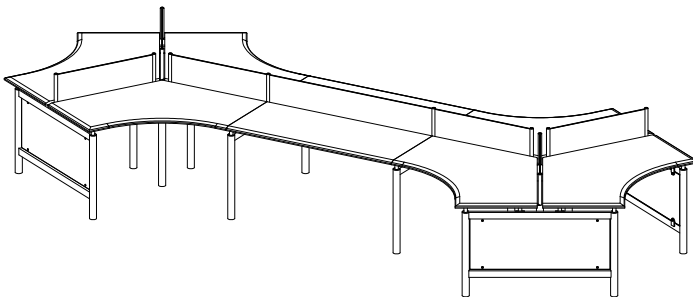


VS-DK-PC10-01

List Price - \$13,268

Per Seat - \$1,326

- (1) VS-DK-4884SP-29-S1-SW-WA-AR
- (1) VS-DK-4860SS-29-E-SW-WA-AR
- 10-Person combination

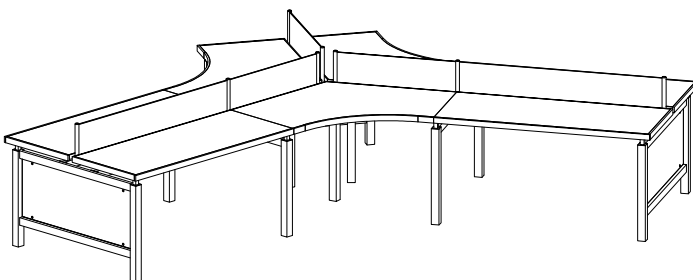


VS-DK-PC10-02

List Price - \$22,903

Per Seat - \$2,290

- (1) VS-DK-4866XP-29-S1-RA-MM-AR
- (1) VS-DK-4860XS-29-A-RO-MM-AR
- (1) VS-DK-4866XP-29-E-RA-MM-AR
- 10-Person combination

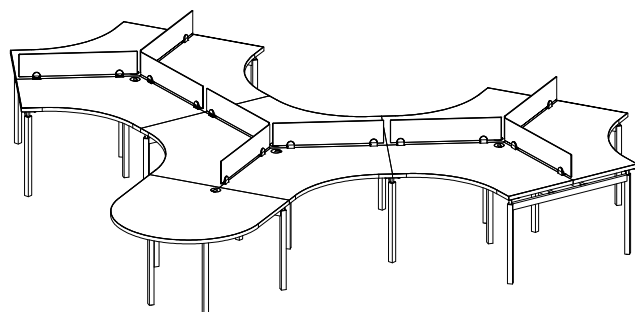


VS-DK-PC11-01

List Price - \$16,924

Per Seat - \$1,538

- (1) VS-DK-4866XP-29-S2-SA-WA-AR
- (2) VS-DK-4860XS-29-E-SA-WA-AR
- 11-Person combination



VS-DK-PC11-02

List Price - \$27,150

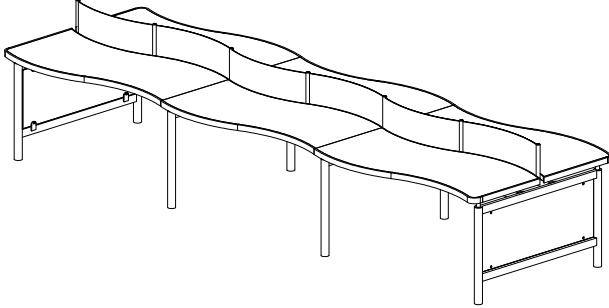
Per Seat - \$2,468

- (1) VS-DK-4848SB-29-S-DO-MM
- (1) VS-DK-4866SP-29-A2-DO-MM-AR
- (2) VS-DK-4866SP-29-E-DO-MM-AR
- 11-Person combination

Versailles Desking

Popular Combinations

The following product combinations are **popular and frequently ordered runs of desking**. The catalog numbers, seated positions, and list prices are all provided. The combinations can be used exactly as-is, as a starting point for budgetary purposes, or simply as examples. Contact project management for any further information.

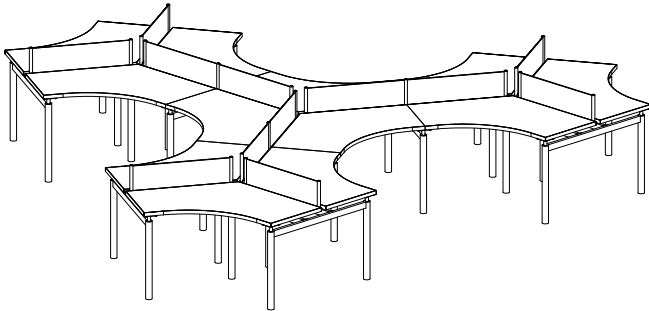


VS-DK-PC12-01

List Price - \$12,926

Per Seat - \$1,077

- (1) VS-DK-4860XW-29-S-RA-WA-AR-AZ-WM
 - (1) VS-DK-4860XW-29-A-RO-WA-AR-AZ-WM
 - (1) VS-DK-4860XW-29-E-RA-WA-AR-AZ-WM
- 12-Person combination

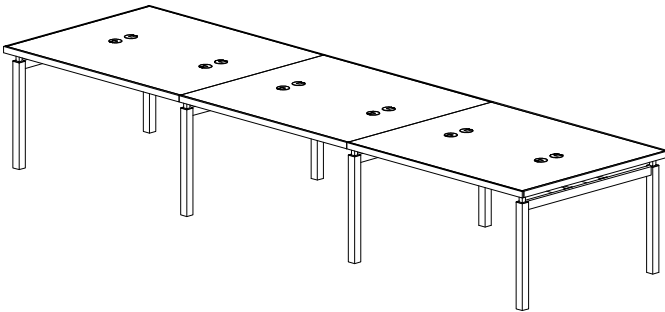


VS-DK-PC12-02

List Price - \$36,159

Per Seat - \$3,013

- (1) VS-DK-4866XP-29-S3-RO-MM-AR
 - (3) VS-DK-4866XP-29-3-RO-MM-AR
- 12-Person combination

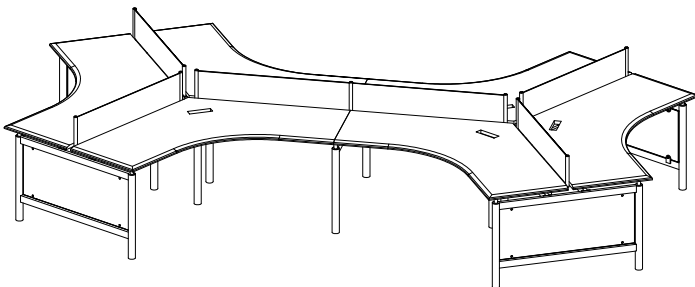


VS-DK-PC12-03

List Price - \$7,155

Per Seat - \$596

- (1) VS-DK-4860SS-29-S-SO-WA
 - (1) VS-DK-4860SS-29-A-SO-WA
 - (1) VS-DK-4860SS-29-E-SO-WA
- 12-Person combination

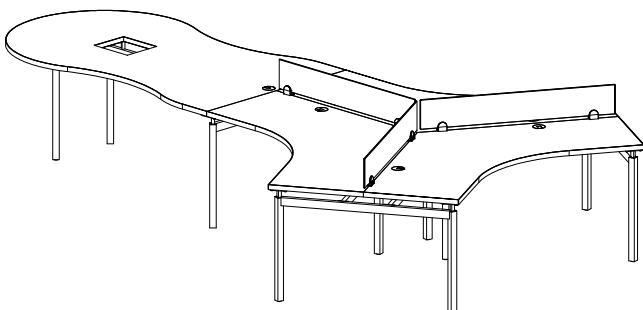


VS-DK-PC12-04

List Price - \$21,371

Per Seat - \$1,780

- (1) VS-DK-4884XP-29-S1-RA-PC-AR-AZ
 - (1) VS-DK-4884XP-29-E-RA-PC-AR-AZ
- 12-Person combination

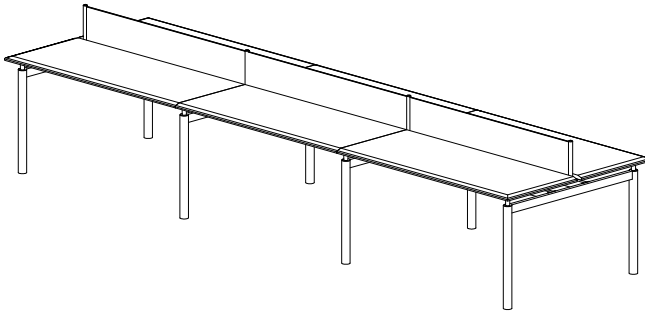


VS-DK-PC12-05

List Price - \$12,250

Per Seat - \$1,021

- (1) VS-DK-4884SF-29-S-DO-MM-DS6-WM
 - (1) VS-DK-4884SP-29-E-DO-MM-AR
- 12-Person combination

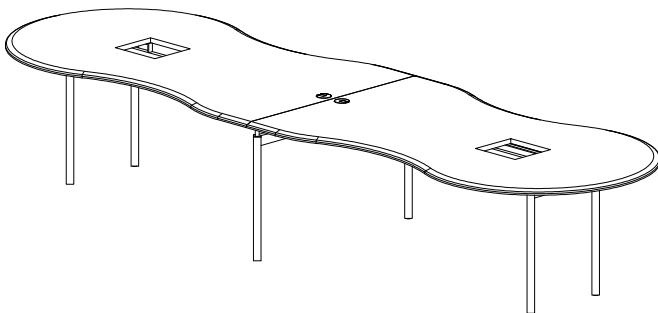


VS-DK-PC12-06

List Price - \$9,064

Per Seat - \$755

- (1) VS-DK-4860XS-29-S-RO-PC-AR
- (1) VS-DK-4860XS-29-A-RO-PC-AR
- (1) VS-DK-4860XS-29-E-RO-PC-AR
- 12-Person combination

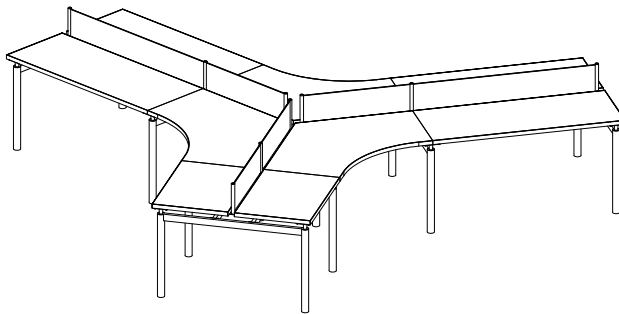


VS-DK-PC12-07

List Price - \$6,872

Per Seat - \$573

- (1) VS-DK-4884SF-29-S-DO-PC-DS6-WM
- (1) VS-DK-4884SF-29-E-DO-PC-DS6-WM
- 12-Person combination

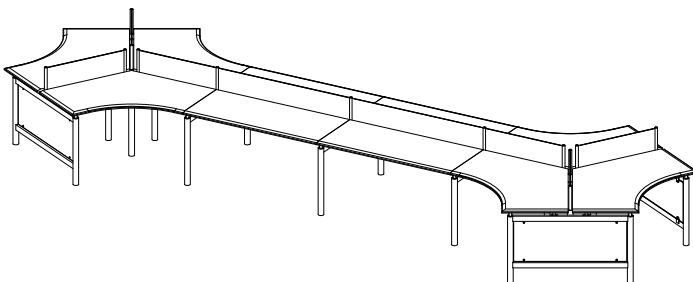


VS-DK-PC13-01

List Price - \$17,532

Per Seat - \$1,348

- (1) VS-DK-4866XP-29-S3-RO-MM-AR
- (2) VS-DK-4860XS-29-E-RO-MM-AR
- (1) VS-DK-4836XS-29-E-RO-MM-AR
- 13-Person combination

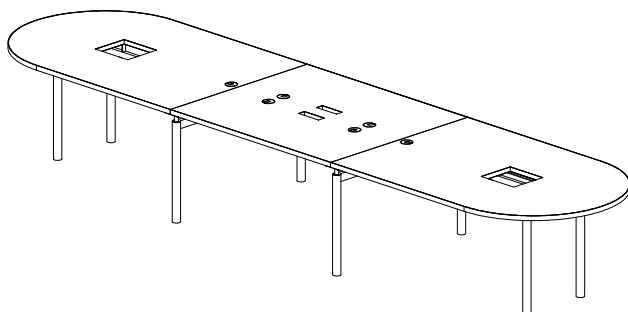


VS-DK-PC14-01

List Price - \$25,646

Per Seat - \$1,832

- (1) VS-DK-4866XP-29-S1-RA-PC-AR
- (2) VS-DK-4860XS-29-A-RO-PC-AR
- (1) VS-DK-4866XP-29-E-RA-PC-AR
- 14-Person combination



VS-DK-PC14-02

List Price - \$8,691

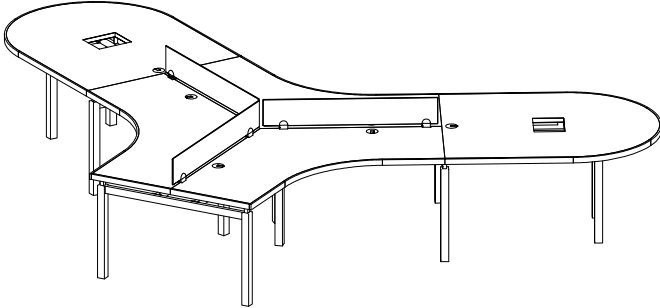
Per Seat - \$621

- (1) VS-DK-4872SB-29-S-RO-MM-DS6-WM
- (1) VS-DK-4860SS-29-A-RO-MM-AZ-WM
- (1) VS-DK-4872SB-29-E-RO-MM-DS6-WM
- 14-Person combination

Versailles Desking

Popular Combinations

The following product combinations are **popular and frequently ordered runs of desking**. The catalog numbers, seated positions, and list prices are all provided. The combinations can be used exactly as-is, as a starting point for budgetary purposes, or simply as examples. Contact project management for any further information.

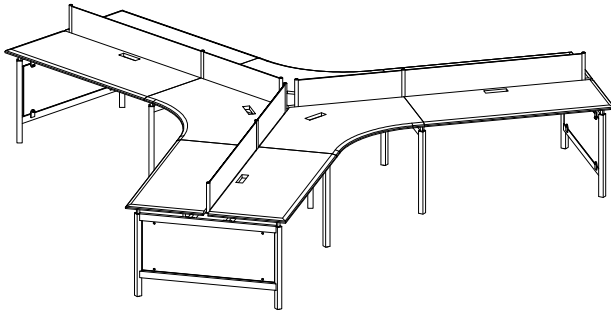


VS-DK-PC14-03

List Price - \$14,551

Per Seat - \$1,039

- (1) VS-DK-4884SP-29-S2-SO-WA-AR
- (2) VS-DK-4860SB-29-E-SO-WA-DS4
- 14-Person combination

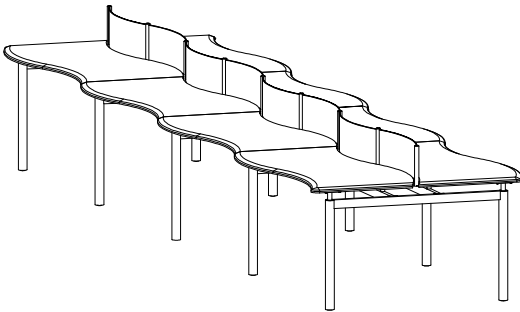


VS-DK-PC15-01

List Price - \$19,568

Per Seat - \$1,304

- (1) VS-DK-4866XP-29-S3-DO-PC-AR-AZ
- (3) VS-DK-4860XS-29-E-DA-PC-AR-AZ
- 15-Person combination

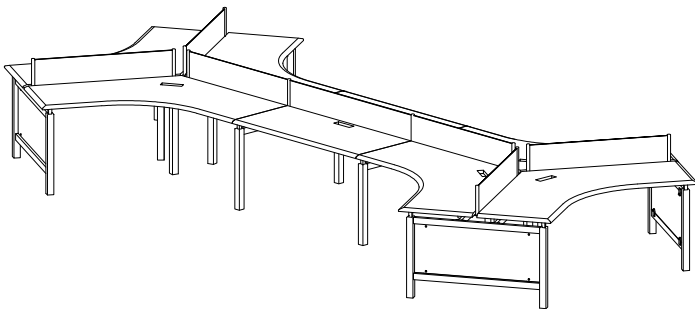


VS-DK-PC16-01

List Price - \$13,882

Per Seat - \$867

- (1) VS-DK-4860XW-29-S-RO-PC-AR
- (2) VS-DK-4860XW-29-A-RO-PC-AR
- (1) VS-DK-4860XW-29-E-RO-PC-AR
- 16-Person combination

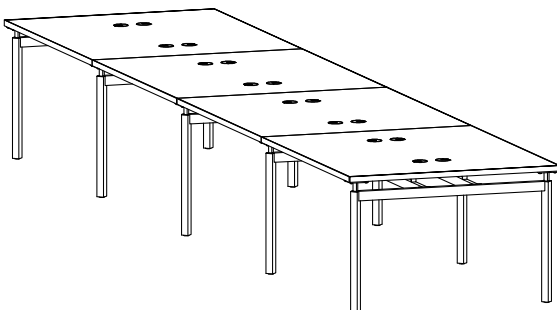


VS-DK-PC16-02

List Price - \$24,209

Per Seat - \$1,513

- (1) VS-DK-4884XP-29-S1-SA-PC-AR-AZ
- (1) VS-DK-4860XS-29-A-SO-PC-AR-AZ
- (1) VS-DK-4884XP-29-E-SA-PC-AR-AZ
- 16-Person combination



VS-DK-PC16-03

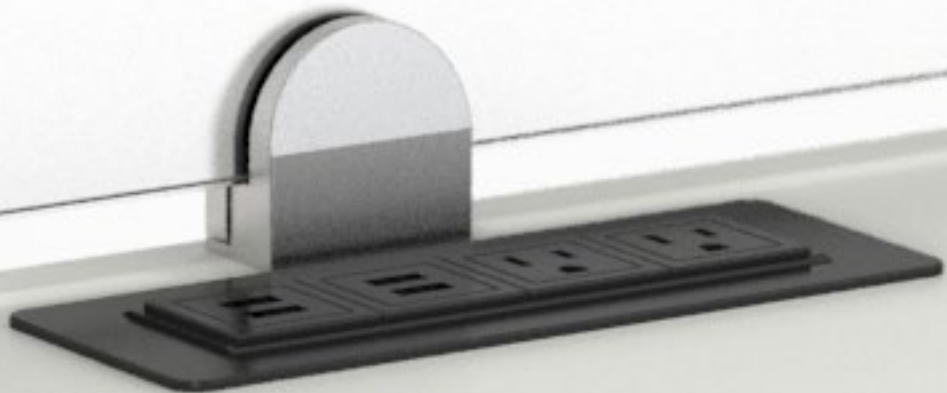
List Price - \$8,898

Per Seat - \$556

- (1) VS-DK-4860SS-29-S-DO-MM
- (2) VS-DK-4860SS-29-A-DO-MM
- (1) VS-DK-4860SS-29-E-DO-MM
- 16-Person combination

Accessories

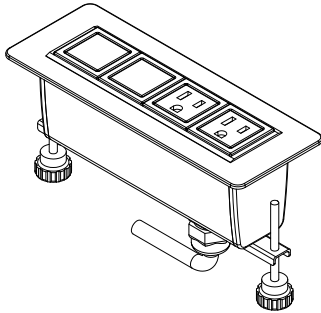
Customize each table to fit your needs



Versailles Accessories

Built-In Power & Data

The following products are **popular and frequently ordered built-in power & data accessories**, and the unit it goes with **must have a power cutout** in it. The catalog number, description, specifications, color options, and list prices are all provided. Contact project management for any further information.



LA-AXZ4-202-C120

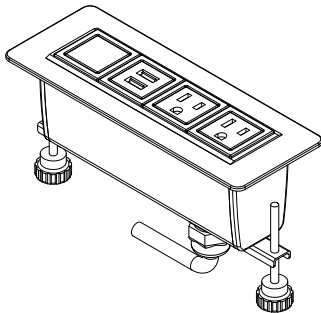
List Price - \$308

Axil Z (Flat Mount)

Power/Data Configuration - 2 Power; 2 Open Data

Power Supply - 120" Cord

Finish Options - Gloss White (-W); Gloss Black (-B); Gloss Silver (-S)



LA-AXZ4-211-C120

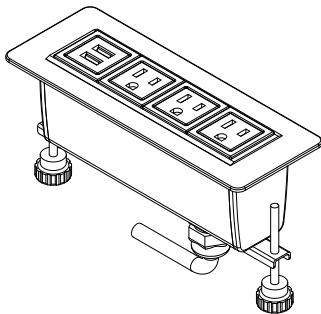
List Price - \$387

Axil Z (Flat Mount)

Power/Data Configuration - 2 Power; 1 USB; 1 Open Data

Power Supply - 120" Cord

Finish Options - Gloss White (-W); Gloss Black (-B); Gloss Silver (-S)



LA-AXZ4-310-C120

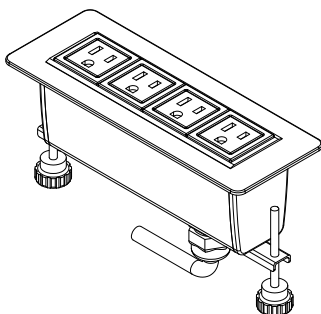
List Price - \$403

Axil Z (Flat Mount)

Power/Data Configuration - 3 Power; 1 USB

Power Supply - 120" Cord

Finish Options - Gloss White (-W); Gloss Black (-B); Gloss Silver (-S)



LA-AXZ4-400-C120

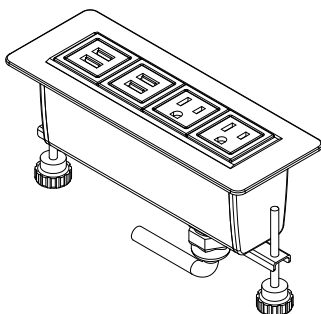
List Price - \$414

Axil Z (Flat Mount)

Power/Data Configuration - 4 Power

Power Supply - 120" Cord

Finish Options - Gloss White (-W); Gloss Black (-B); Gloss Silver (-S)



LA-AXZ4-220-C120

List Price - \$465

Axil Z (Flat Mount)

Power/Data Configuration - 2 Power; 2 USB

Power Supply - 120" Cord

Finish Options - Gloss White (-W); Gloss Black (-B); Gloss Silver (-S)

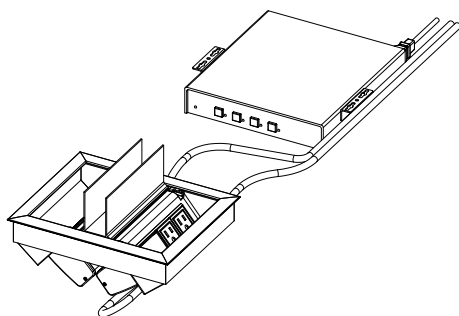
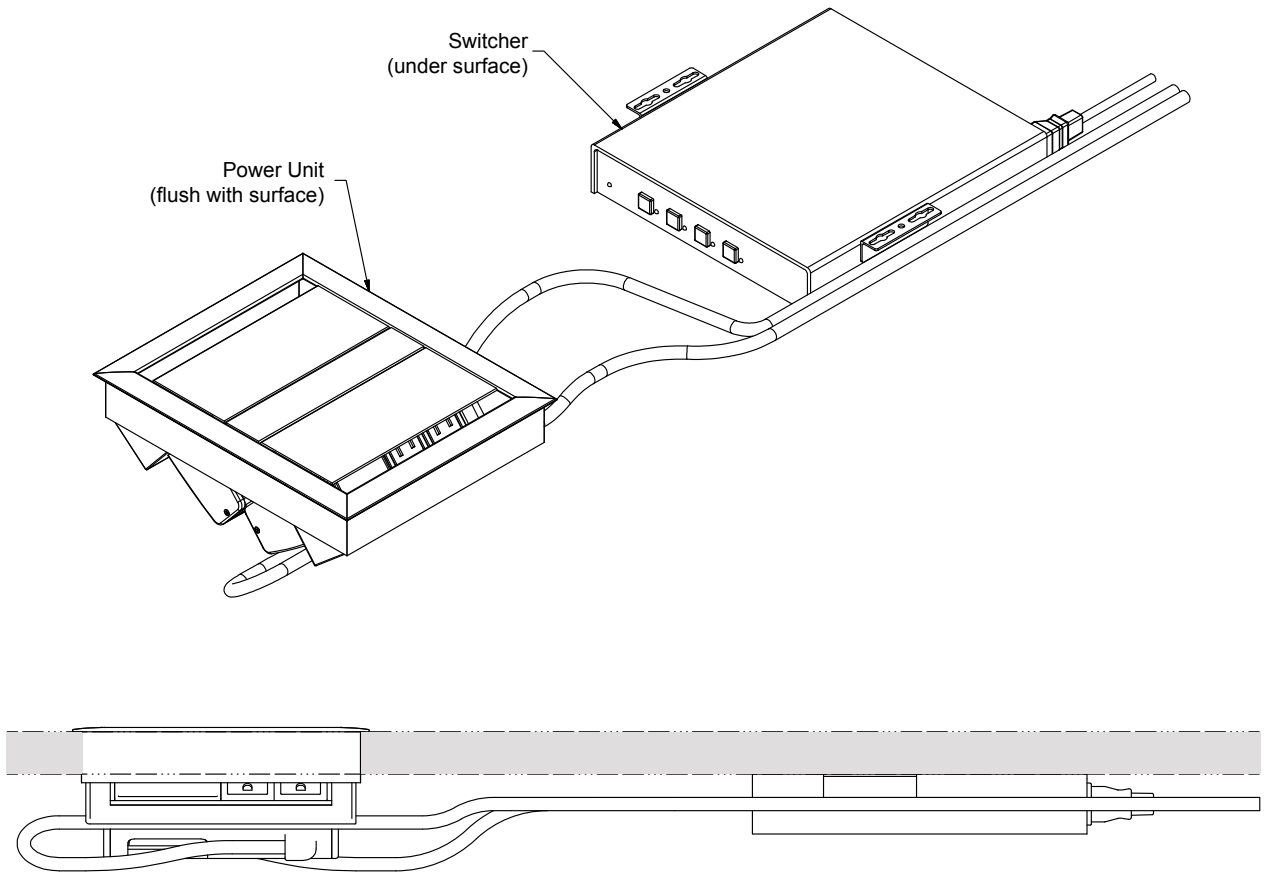
Suggested Item

Dropshare *an effective media sharing solution*

The unit dropshare accessories go with must have a power cutout in it.

The catalog number, description, specifications, color options, and list prices are all provided.

Contact project management for any further information.



LA-DSX4-4-200-C120

DropShare Media Sharing

User Configuration - 4-User

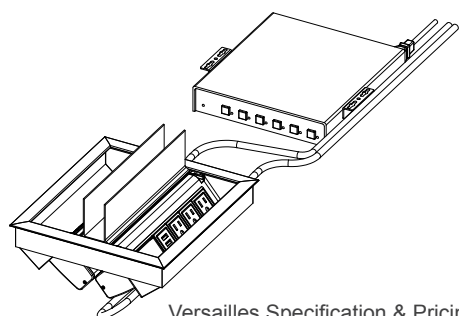
Video Input/Output - HDMI

Power/Data Configuration - 2 Power (each side)

Power Supply - 120" Cord

Finish Options - Clear Anodized (-SB); Black Anodized (-BB)

List Price - \$4,833



LA-DSX6-6-310-C120

DropShare Media Sharing

User Configuration - 6-User

Video Input/Output - HDMI

Power/Data Configuration - 3 Power; 1 USB (each side)

Power Supply - 120" Cord

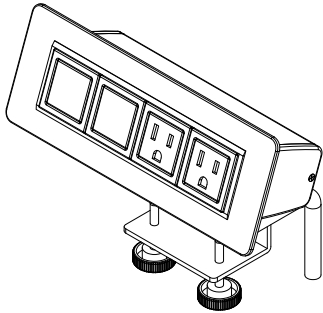
Finish Options - Clear Anodized (-SB); Black Anodized (-BB)

List Price - \$7,672

Versailles Accessories

Add-On Power & Data

The following products are **popular and frequently ordered add-on power & data accessories**. The catalog number, description, specifications, color options, and list prices are all provided. Contact project management for any further information.



LA-AXX4-202-C120

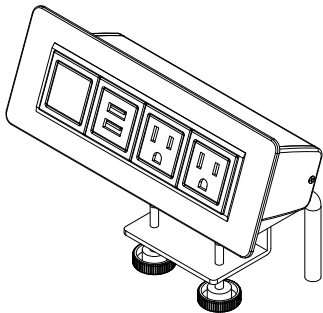
List Price - \$308

Axil X (Edge Mount)

Power/Data Configuration - 2 Power; 2 Open Data

Power Supply - 120" Cord

Finish Options - Gloss White (-W); Gloss Black (-B); Gloss Silver (-S)



LA-AXX4-211-C120

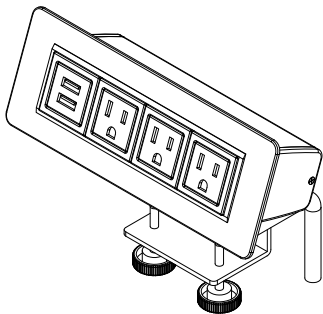
List Price - \$387

Axil X (Edge Mount)

Power/Data Configuration - 2 Power; 1 USB; 1 Open Data

Power Supply - 120" Cord

Finish Options - Gloss White (-W); Gloss Black (-B); Gloss Silver (-S)



LA-AXX4-310-C120

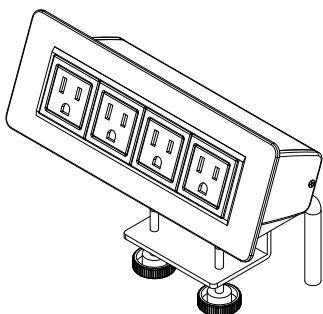
List Price - \$403

Axil X (Edge Mount)

Power/Data Configuration - 3 Power; 1 USB

Power Supply - 120" Cord

Finish Options - Gloss White (-W); Gloss Black (-B); Gloss Silver (-S)



LA-AXX4-400-C120

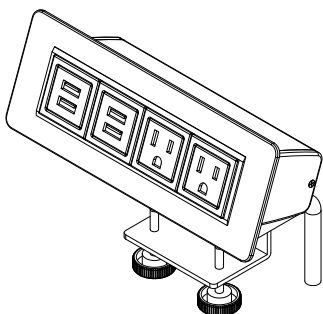
List Price - \$414

Axil X (Edge Mount)

Power/Data Configuration - 4 Power

Power Supply - 120" Cord

Finish Options - Gloss White (-W); Gloss Black (-B); Gloss Silver (-S)



LA-AXX4-220-C120

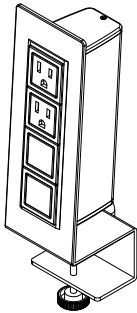
List Price - \$465

Axil X (Edge Mount)

Power/Data Configuration - 2 Power; 2 USB

Power Supply - 120" Cord

Finish Options - Gloss White (-W); Gloss Black (-B); Gloss Silver (-S)



LA-AXY4-202-C120

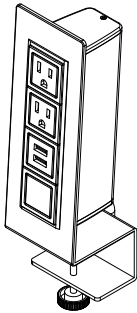
List Price - \$308

Axil Y (Edge Mount)

Power/Data Configuration - 2 Power; 2 Open Data

Power Supply - 120" Cord

Finish Options - Gloss White (-W); Gloss Black (-B); Gloss Silver (-S)



LA-AXY4-211-C120

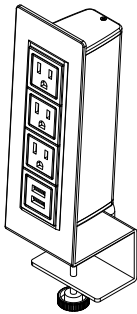
List Price - \$387

Axil Y (Edge Mount)

Power/Data Configuration - 2 Power; 1 USB; 1 Open Data

Power Supply - 120" Cord

Finish Options - Gloss White (-W); Gloss Black (-B); Gloss Silver (-S)



LA-AXY4-310-C120

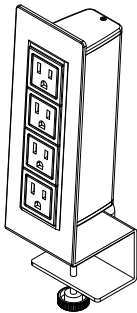
List Price - \$403

Axil Y (Edge Mount)

Power/Data Configuration - 3 Power; 1 USB

Power Supply - 120" Cord

Finish Options - Gloss White (-W); Gloss Black (-B); Gloss Silver (-S)



LA-AXY4-400-C120

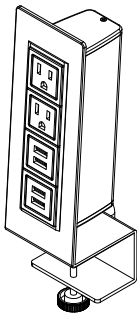
List Price - \$414

Axil Y (Edge Mount)

Power/Data Configuration - 4 Power

Power Supply - 120" Cord

Finish Options - Gloss White (-W); Gloss Black (-B); Gloss Silver (-S)



LA-AXY4-220-C120

List Price - \$465

Axil Y (Edge Mount)

Power/Data Configuration - 2 Power; 2 USB

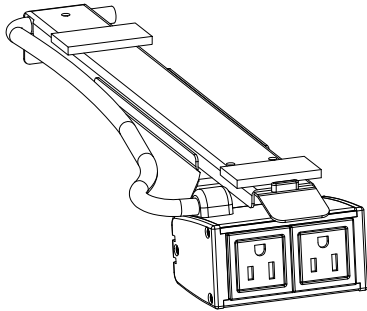
Power Supply - 120" Cord

Finish Options - Gloss White (-W); Gloss Black (-B); Gloss Silver (-S)

Versailles Accessories

Add-On Power & Data

The following products are **popular and frequently ordered add-on power & data accessories**. The catalog number, description, specifications, color options, and list prices are all provided. Contact project management for any further information.



LA-ASR2-200-C120

Assemble Reveal (Under Surface)

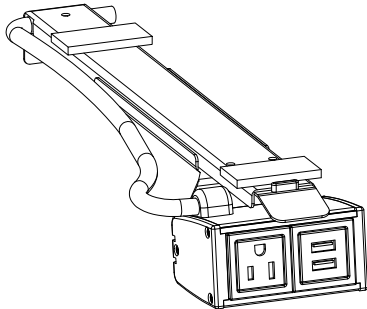
Power/Data Configuration - 2 Power

Power Supply - 120" Cord

Finish - Silver Aluminum

Trim Color Options - White (-WT); Black (-BT); Silver (-ST)

List Price - \$335



LA-ASR2-110-C120

Assemble Reveal (Under Surface)

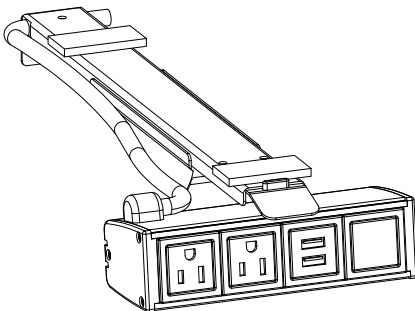
Power/Data Configuration - 1 Power; 1 USB

Power Supply - 120" Cord

Finish - Silver Aluminum

Trim Color Options - White (-WT); Black (-BT); Silver (-ST)

List Price - \$400



LA-ASR4-211-C120

Assemble Reveal (Under Surface)

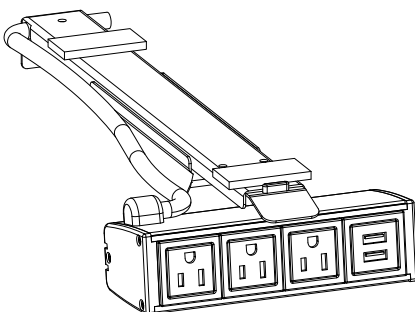
Power/Data Configuration - 2 Power; 1 USB; 1 Open Data

Power Supply - 120" Cord

Finish - Silver Aluminum

Trim Color Options - White (-WT); Black (-BT); Silver (-ST)

List Price - \$424



LA-ASR4-310-C120

Assemble Reveal (Under Surface)

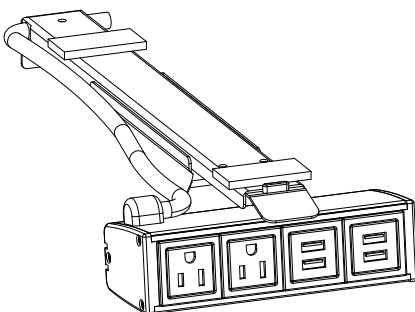
Power/Data Configuration - 3 Power; 1 USB

Power Supply - 120" Cord

Finish - Silver Aluminum

Trim Color Options - White (-WT); Black (-BT); Silver (-ST)

List Price - \$441



LA-ASR4-220-C120

Assemble Reveal (Under Surface)

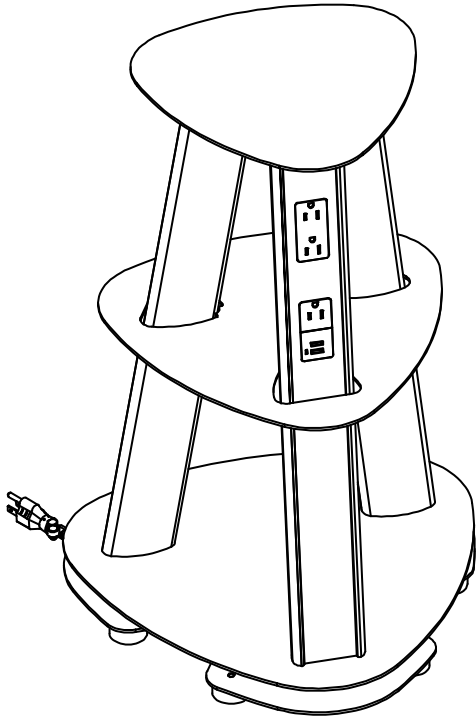
Power/Data Configuration - 2 Power; 2 USB

Power Supply - 120" Cord

Finish - Silver Aluminum

Trim Color Options - White (-WT); Black (-BT); Silver (-ST)

List Price - \$502



Suggested Item

ISLE a free standing charging hub

LA-ISLE-930-C108

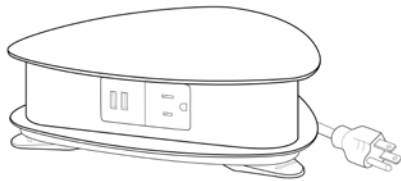
Power/Data Configuration - 9 Power; 3 USB

Power Supply - 108" Cord

Finish Options - Gloss White (-**GW**) Gloss Black (-**GB**) Silver Pearl (-**S**)

Size - 18"W x 18"L x 25-1/2"H

List Price - \$1,679



LA-DRI6-330-C108

Drifter (Free Standing - Table Top)

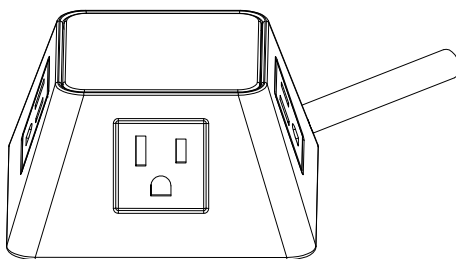
Power/Data Configuration - 3 Power; 3 USB

Power Supply - 108" Cord

Finish Options - Gloss White (-**GW**); Gloss Black (-**GB**); Silver Pearl (-**S**)

Size - 10"W x 10"L x 2-7/8"H

List Price - \$707



LA-MOT4-400-C120

Moire (Free Standing - Table Top)

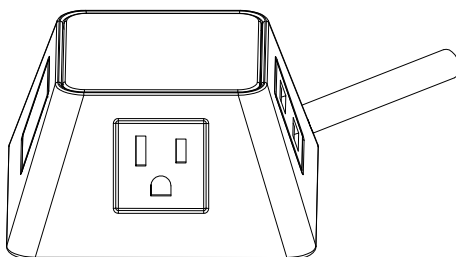
Power/Data Configuration - 4 Power

Power Supply - 120" Cord

Finish Options - Gloss White (-**W**); Gloss Black (-**B**)

Size - 3-7/8"W x 3-7/8"L x 2"H

List Price - \$257



LA-MOT4-21B-C120

Moire (Free Standing - Table Top)

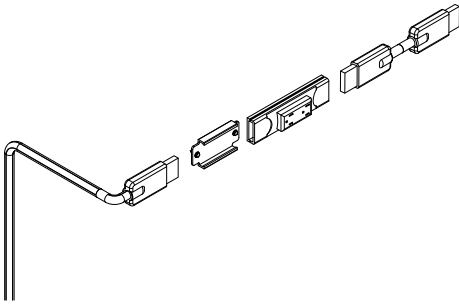
Power/Data Configuration - 2 Power; 1 USB; 1 Blank

Power Supply - 120" Cord

Finish Options - Gloss White (-**W**); Gloss Black (-**B**)

Size - 3-7/8"W x 3-7/8"L x 2"H

List Price - \$284



4TRAC

Contact Project Management for Configuration & Pricing

4-Trac Power Supply System

Power System - 4 wires; 2 circuits; 20 Amps each

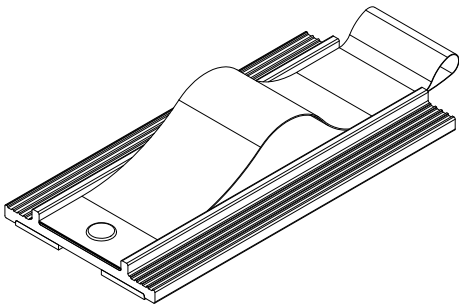
Power Supply - Cord and hardwire power options available

Power Output - Allows up to 26 duplex receptacles (13 per circuit)

Versailles Accessories

Add-On Wire Management

The following products are **popular and frequently ordered add-on wire management accessories**. The catalog number, description, specifications, color options, and list prices are all provided. Contact project management for any further information.



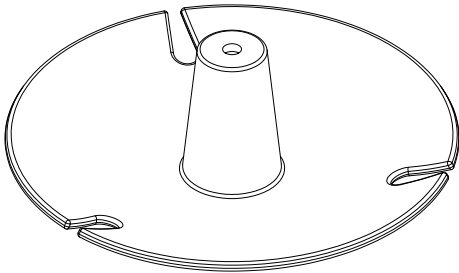
LA-WM7

VELCRO Wire Management Guide

Size - 1-3/4" x 3-1/2"

Color - Black

List Price - \$13



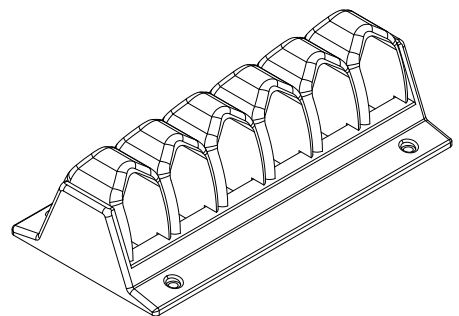
LA-WM24-90M

Under Counter Sombrero Cable Wrap

Size - 1-17/32" T x 4" Dia

Color - Black

List Price - \$20



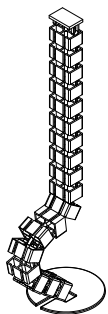
LA-WM23B-90

Cable Management Flexible Loop Guide

Size - 1-5/8" T x 2-19/32" W x 3-5/8" L

Color - Black

List Price - \$45



LA-WM16

Snake Wire Manager

Size - 31-1/8" L

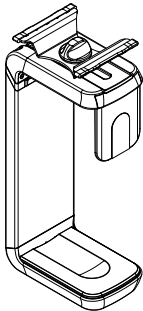
Color - Metallic Silver (-23); Black (-90)

List Price - \$160

Versailles Accessories

Monitor Arms & CPU Holders

The following products are **popular and frequently ordered monitor arm & CPU holder accessories**. The catalog number, description, specifications, color options, and list prices are all provided. Contact project management for any further information.



LA-CPU600

Vertical Hanging CPU Holder (Fixed Mount)

List Price - \$196

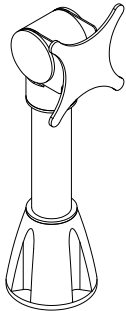
Size Adjustments - Fits CPUs 3.6" - 9" wide by 12" - 120" high

Track Length - 16"

Maximum CPU weight - 30 pounds

Rotation - 360°

Colors - White/Brushed Aluminum (-W); Black/Brushed Aluminum (-B)



LA-9189

POS Through-Counter Mount

List Price - \$354

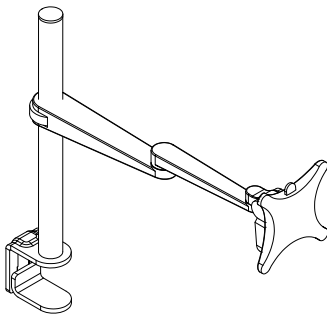
Installation - Tube passes through counter and has internal cable routing

Adjusting - Quickly adjust monitor height from 7" - 12", Pivot, turn, or lock

Supports monitors up to 25 pounds

Color - Dark Grey

Supports monitors, signature capture devices, kiosks and more



LA-5800-S-14-DC

EVO Pole Arm

List Price - \$541

Rotation - 360° at two joints; 180° at base

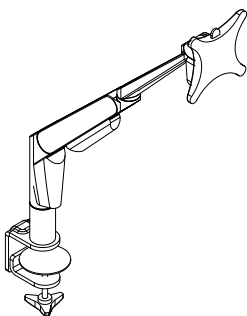
Monitor Tilt - 90° up & 20° down; Landscape/Portrait Pivot

Monitor Compatibility - VESA 75mm and 100mm

Monitor Weight - Up to 20 pounds (9.0 kg)

Mounting Options - Desk Edge; Grommet; Thru-Desk

Colors - Silver Powder Coat (-124); Vista Black Powder Coat (-104)



LA-5700-DC-SPM

EVO LCD Arm

List Price - \$639

Rotation - 360° at two joints; 180° at base

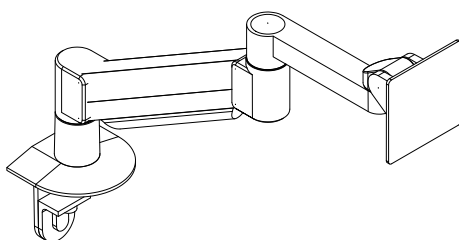
Monitor Tilt - 90° up & 20° down; Landscape/Portrait Pivot

Monitor Compatibility - VESA 75mm and 100mm

Monitor Weight - 7 - 20 pounds (3.2 - 9.0 kg)

Mounting Options - Desk Edge; Grommet; Thru-Desk

Colors - Silver Powder Coat (-124); Vista Black Powder Coat (-104)



LA-7000

Flexible Flat Panel Radial Arm

List Price - \$780

Rotation - 360° at three joints

Monitor Tilt - 180° down from center; Landscape/Portrait Pivot

Monitor Compatibility - VESA 75mm and 100mm

Monitor Weight - 2 - 13 pounds (0.9 - 5.9 kg)

Mounting Options - Desk Edge; Grommet; Thru-Desk

Colors - Silver (-124); Linen White (-232); Vista Black (-104)

Terms and Conditions

Versailles Terms and Conditions

The following terms & conditions apply to all LIAT, LLC products.

1. ACCEPTANCE, MODIFICATION, ASSIGNMENT: By placing this order for furniture, material or other products (sometimes collectively referred to as "Goods"), Customer agrees to these Terms and Conditions which shall prevail over inconsistent provisions in any other form or document of Customer. No change or modification shall be applicable unless set forth in writing and signed by Company. Neither this order nor any interest therein shall be assigned by Customer except with the prior written consent of Company.

2. PRICING: LIAT, LLC assumes no responsibility for the quantities or the interpretation of competitive product. Pricing is based on standard LIAT furniture including standard construction, materials, finishes and sizes. Unit prices shall prevail. Pricing subject to change without notice. Prices are those in effect at the time of order entry.

3. PAYMENT: Customer agrees to pay deposit or down payment as required by Company. Customer agrees to pay to Company the amount indicated on the Invoice, 1% 15 days, net 30 days from date of Invoice (U.S. Funds only), for Goods ordered. **INTEREST WILL BE CHARGED AFTER 30 DAYS FROM THE DATE OF INVOICE AT THE RATE OF ONE AND A HALF PERCENT (1.5%) PER MONTH.** International sales will require additional payment arrangements. No Goods shall be sold on consignment or conditional sales basis. Payment for the Goods delivered hereunder shall constitute acceptance thereof.

4. DELIVERY: The specific terms of delivery are as stated on the sales order acknowledgment. Goods which are delivered in advance of schedule are delivered at the risk of Customer. The Company is not liable for delays or failure to ship due to fire, strike, act of God, the public enemy or other causes beyond the control of the Company. With respect to LIAT, LLC, all shipments which are F.O.B. Factory or Delivered, LIAT, LLC reserves the right to select the appropriate carrier. Special requests including, but not limited to, inside delivery, installation, and call before delivery are not included in the price. Any charges arising from failure to meet shipment, rerouting while in transit, or carrier storage charges are the responsibility of the Customer.

*LIAT product is shipped knocked down. Assembly in the field is required.

5. CARE AND MAINTENANCE: To maintain your LIAT product for years of use, please follow these care and maintenance guidelines:

Wood Care and Maintenance: Use a damp, lint free cotton cloth for general dusting. Work with the grain of the wood.

Laminate Tops: Laminates may be cleaned using a damp cloth and mild soap.

Marmoleum Tops: Marmoleum can be maintained by dry or wet maintenance systems. For detailed product specifications or maintenance information, contact Forbo Industries Support Services at 1-800-842-7839 or visit their website www.forbo-industries.com.

Metal Finishes: Mix a solution of liquid soap and warm water. Saturate a clean cloth with this mixture. Wipe down metal then dry completely.

Acrylic Products: Use only products specifically recommended for cleaning acrylic, or a mild solution of dish detergent and warm water. Do **NOT** use any cleaner containing ammonia to clean your acrylic products. Do **NOT** use a dry cloth or your hand to clean the acrylic - this will rub the dirt and dust into the acrylic and can scratch the surface.

Fabric Care: The ability to be cleaned will vary based on the type of fabric. For best results, a professional service is recommended. Dirt and crumbs may be gently brushed or vacuumed off. Spill should be wiped up immediately with a cloth. If upholstery has been protected with Scotchgard or Zepel, the coating should be re-applied yearly. Vinyl textiles can be cleaned with warm soapy water and then wiped down with a warm damp cloth.

6. CLAIMS. All shipments are delivered to the carrier in good condition and

Company's liability ceases after acceptance by carrier. If shipment arrives short or damaged, the Customer must file a claim immediately with the carrier. In the event of concealed damage, notify carrier and request an immediate inspection. Keep all cartons and packing material. Failure to file claim within 15 days after receipt of Goods constitutes acceptance and a waiver of any such claims

7. DISCLAIMER OF WARRANTIES: The express warranties below are the Company's sole warranties of its Goods, there are no understandings, agreements, representations, or warranties, express or implied (including any regarding the merchantability or fitness for a particular purpose), not specified herein, respecting the Goods. Except for those obligations of the Company identified in these Terms and Conditions, all risks related to the quality and performance of the Goods and responsibility for repair or service costs rests solely on the Customer. Company reserves the right to limit the applicable warranty to the Goods depending upon the division or catalogue through which said Goods were sold. Some states do not allow limitations on implied warranties, limitations on how long an implied warranty lasts, or the exclusion or limitation of incidental or consequential damages, so the above limitations may not apply to all Customers. This warranty gives the Customer specific legal rights, and each Customer may also have other rights which vary from state to state.

8. EXPRESS WARRANTIES: *The express warranties of the Company are as follows:*

LIAT, LLC

LIAT, LLC WARRANTS TO THE ORIGINAL PURCHASER THAT EACH CASEGOOD WILL BE FREE FROM DEFECTS IN WORKMANSHIP GIVEN NORMAL USE FOR A PERIOD OF TWENTY (20) YEARS OF SINGLE SHIFT SERVICE. LIAT WARRANTS THEIR SEATING PRODUCTS TO THE ORIGINAL PURCHASER THAT EACH PIECE OF FURNITURE WILL BE FREE FROM DEFECTS GIVEN NORMAL USE FOR FIVE (5) YEARS. LIAT, LLC WILL, AT ITS OPTION, REPAIR OR REPLACE ANY DEFECTIVE FURNITURE WITHIN THE TERMS OF THE WARRANTY. THIS WARRANTY DOES NOT APPLY TO DAMAGE RESULTING FROM ACCIDENT, ALTERATION, OR MISUSE. ALL LIAT ELECTRICAL COMPONENTS AND ACCESSORIES ARE WARRANTED TO THE EXTENT OF THE ORIGINAL MANUFACTURER.

Goods other than furniture are sold by Company to Customer without warranty.

9. ATTORNEYS' FEES: Customer shall be responsible for all expenses and costs in connection with the enforcement by Company of these Terms and Conditions and the costs of collection (including the fees of any collection agencies to whom the Customer's account may be referred), plus reasonable attorneys' fees (which attorneys' fees shall not be less than 25% of the amount due, unless a lower amount is specified by applicable law).

10. CANCELLATION: All cancellations must be made in writing. Administrative and/or labor charges may be incurred by the Customer depending upon the production stage of the order. Orders specifying special finish cannot be cancelled once finishing has begun. Cancellations cannot be accepted once final production has begun.

11. ORDER CHANGES: All changes to an order must be made in writing and are subject to Company's ability to conform. Administrative and/or labor charges may be incurred by the Customer depending upon the production stage of the order. Once final production has begun, no changes can be accepted.

12. REMEDIES: The remedies herein reserved shall be cumulative, and additional to any other or further remedies provided in law or equity. No waiver of a breach of any provision of these Terms and Conditions shall constitute waiver of any other breach or of such provision.

13. INSOLVENCY: Company may forthwith cancel this order in the event of the happening of any of the following or any other comparable event: insolvency of the Customer, the filing of a voluntary petition in bankruptcy, the filing of any involuntary petition to have Customer declared bankrupt provided it is not vacated within thirty (30) days from the date of filing, the appointment of a receiver or trustee for Customer provided such appointment is not vacated within thirty (30) days from the date of such appointment, or the execution by Customer of an assignment for the benefit of creditors.

14. LIMITATION OF LIABILITY: The Company shall not under any circumstances be liable to the Customer, owner of the Goods or any third party for special, indirect, incidental, or consequential damages, including, without limitation, loss of profits or revenues, loss or damage to other property or equipment, cost of capital or of purchased or replacement goods, or expense, delay or inconvenience caused by or arising from the purchase, sale, use, repair or inability to use the Goods or by any performance or non-performance under, or breach of, these Terms and Conditions. The Company's sole liability for any defective Goods shall be its repair or its replacement pursuant to the Express Warranties set forth above, or if amended, as applicable at the time of manufacture or repair of the Goods. Some states do not allow the exclusion or limitation of incidental or consequential damages, so the above limitations or exclusion may not apply to all Customers. Any action resulting from any breach on the part of Company as to the Goods or services delivered hereunder must be commenced within one year after the cause of action has occurred.

15. RETURNS AND ALLOWANCES: Reasonable touch-up and deluxing is the dealer's responsibility. The Company will not make allowances for trip or delivery charges, but will only make allowance for actual work performed to correct manufacturing defects. Allowances may be authorized only by a Company officer. It is the responsibility of the field sales representatives to inspect any defective merchandise and make suggestions and recommendations as to the proper disposition. Field personnel cannot obligate or bind the Company by definite agreement, without final authorization by a Company officer. Company will not accept automatic charge backs which do not have prior authorization. All defects must be called to the Company's attention upon arrival at the Customer's "Ship To" destination. To initiate any type of claim or request for parts, it is imperative to have the model number or fabric number, which may be located on the tag attached to the frame of the unit. Authorization for return to the Company for any reason must be issued by the Company via a Return Goods Authorization. Any authorized returns not due to damage or defect will be assessed a 30% restocking charge and all return freight charges must be prepaid. Company will not issue credit allowances for any repairs without Company's prior consent. Under no circumstances shall the Company accept COD (Cash on Delivery) returns, and any such shipment will be refused.

16. SECURITY AGREEMENT: The Company may require and Customer shall grant a security interest in Goods sold pursuant to any credit the Company may extend to the Customer.

17. GOVERNING LAW: All disputes between the parties, whether or not arising out of these Terms and Conditions, will be governed by the laws of the State of North Carolina. Customer agrees to submit to the jurisdiction of and agrees all lawsuits relating to any disputes between the Customer and the Company will be brought only in a state court located in Dubois County, North Carolina or the United States District Court for the Southern District of

North Carolina. THE CUSTOMER HEREBY WAIVES THE RIGHT TO A TRIAL BY JURY IN ANY ACTION, PROCEEDING, CLAIM, OR COUNTERCLAIM WHETHER IN CONTRACT OR TORT, AT LAW OR IN EQUITY, ARISING OUT OF OR RELATING IN ANY WAY TO THESE TERMS AND CONDITIONS AND ALL OTHER DISPUTES BETWEEN THE PARTIES.

18. MITIGATION: If the Company repossesses the Goods prior to payment by the Customer of all amounts due hereunder, the Company may sell the Goods, AS IS, WHERE IS, free and clear of all rights of the Customer at either public or private sale, and apply the net proceeds (after deducting expenses of repossession and sale) to the obligation of Customer hereunder. The Customer shall remain liable for any deficiency. THE COMPANY MAY DISPOSE OF THE GOODS IN ANY COMMERCIALY REASONABLE PLACE AND MANNER AND THE CUSTOMER WAIVES ANY NOTICE OF TIME, PLACE AND MANNER OF SALE.

19. INTEGRATION: This order for Goods, including these Terms and Conditions, along with any Credit Application, Invoice, Statement, Dealer Contract, Acknowledgment, Bill of Lading (and any exhibits, addenda or amendments thereto) of which this order may be a part, constitutes the sole and complete agreement between the Company and the Customer with respect to the purchase of the Goods.

20. DIMENSIONS/SPECIFICATIONS/FINISHES: All dimensions are approximate and may vary due to the upholstery technique of each craftsman. If exact dimensions are required, it is necessary for the Customer to state such specifications with the order. Detailed specification sheets are available for each series of Goods, and Customer should consult the Company's Customer Service Department for these specification sheets. Company reserves the right to make changes in dimensions, style, or specifications if Company believes these changes will improve the Goods' quality or appearance. Company reserves the right to substitute hardwoods due to availability at production. Due to the natural characteristics of wood, environmental effects, and material upgrades, the Company cannot guarantee exact finish matches on existing Goods previously ordered from Company. If an exact match to Customer's existing Goods are required, it must be specified so that the proper procedures can be followed to ensure an acceptable finish. Company will accept no liability for the finish if this procedure is not followed. Company reserves the right to make changes in a finish formula if Company believes the change will improve the quality or appearance of Company's Goods.

21. ACKNOWLEDGEMENT: All orders will be acknowledged promptly, showing how the order was entered, the approximate shipping time and other pertinent information. It is the Customer's obligation to examine this acknowledgment carefully and notify Company immediately of any discrepancies. Every reasonable effort is made to ship as acknowledged, however, the acknowledged ship date is approximate. Company will generally ship within five (5) working days of the acknowledged ship date. If a firm ship date is necessary, Customer must inform Company at time of order and Company will make all reasonable efforts to meet each Customer's request. Acknowledged shipping dates are contingent upon the force majeure conditions contained in these Terms and Conditions.

22. COMPANY'S PERFORMANCE OF ITS OBLIGATIONS: The production and delivery of the Goods to the extent delayed or hindered or prevented from the performance by reason of natural disasters, acts of God, strikes, lockouts, labor troubles, inability to procure materials, casualties, failure of power, restrictive governmental laws or regulations, riots, insurrection, acts of terrorism, war or other reason of a like nature not the fault of the Company shall excuse for the period of the delay the Company's performance and the period for the performance shall be extended for a period equivalent to the period of such delay.

GSA Terms and Conditions

Contractor: LIAT LLC, dba Jasper Library Furniture
Business Size: Small Business
Cage Code: 6BHB5
Contract Number: GS-28F-004AA
Contract Period: 10/10/12 thru 10/09/17

694 North Main Street
Troutman, NC 28166
Phone: 888.440.8205
Fax: 704.528.6519
Web Site: www.liatfurniture.com
E-mail: blish@liatfurniture.com
Contract Administration: Brian Lish

- 1a. Item Description: Furniture Systems and Workstation Clusters Special Item Numbers (SIN) Awarded: SIN 71-305 Library Furniture
2. Maximum Order: \$100,000.00 net
3. Minimum Order: \$100.00 net
4. Geographic Coverage: 48 Contiguous States, including the District of Columbia, Alaska, Hawaii, and Puerto Rico.
5. Point of Production: Same as company address
6. Discount: 58.5% off of list price (inclusive of IFF)
7. Quantity Discounts: None
8. Prompt Payment Terms: 1% discount for payments received in less than 20 days.
- 9a. Government Commercial Credit Card: Government commercial credit cards (Visa & MC) are not accepted.
- 9b. Discount for Government Credit Card: N/A
10. Foreign Items: None
- 11a. Time of Delivery: 6 to 8 weeks.
- 11b. Expedited Delivery: Negotiated on an order by order basis.
- 11c. Overnight and 2-Day Delivery: Contact contractor for availability and additional shipping charges.
- 11d. Urgent Requirements: Available upon request.
12. F.O.B Point: Destination

- 13a. Ordering Address: Same as Contractor
14. Payment Address: Same as company address.
15. Warranty Provisions: LIAT warrants their casegoods to the original purchaser that each piece of furniture will be free from defects in workmanship given normal use for a period of twenty years. LIAT will, at its option, repair or replace any defective merchandise within the terms of the warranty. LIAT warrants their seating products to the original purchaser that each piece of furniture will be free from defects in workmanship given normal use for five years. The casegoods and seating warranties do not apply to damage resulting from accident, alteration, or misuse. All LIAT electrical components and accessories are warranted to the extent of the original manufacturer.
16. Export Packing Charges: N/A
17. Terms and Conditions of Government Commercial Credit Card Acceptance: N/A
18. Terms and Conditions of rental, maintenance, and repair: N/A
19. Terms and Conditions of Installation: Negotiated on a case by case basis with the participating dealer.
20. Terms and Conditions of Repair Parts: N/A
21. List of Service and Distribution Points: N/A
22. Participating Dealer: Contact LIAT for a list of participants.
23. Preventative Maintenance: N/A
- 24a. Environmental Attributes: N/A
25. Data Universal Numbering System (DUNS) number: 038281451
- 26: Notification regarding registration in Central Registration (CCR) database: Registered



design the furniture. *innovate* the space. *engage* the users.

liatfurniture.com

694 North Main Street · Troutman, NC 28166
TF 888 440 8205 · F 704 528 6519